

DESIGN FEATURES

DURABLE

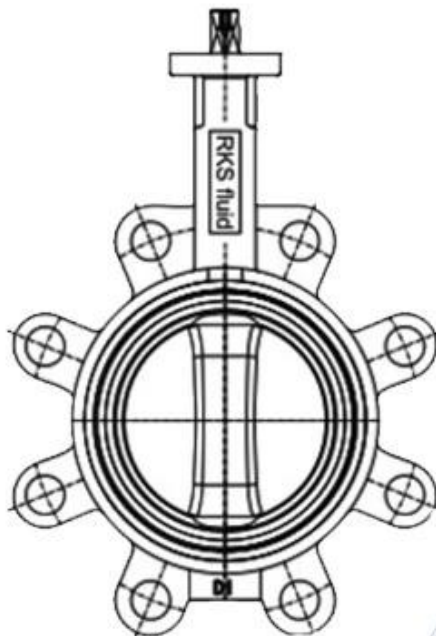
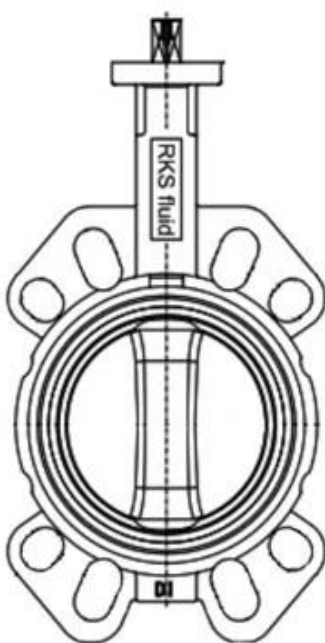
- No-pin connection, 1 pc blow-out proof stem
- DI/CI Nodularity over 95%

ANTI-CORROSION

- Material: Epoxy powder:  , Earth Best!
- Coating Thickness: 200-250µm
- Spraying temp: over 200°C. Doesn't fade, even wipe with diethyl ether

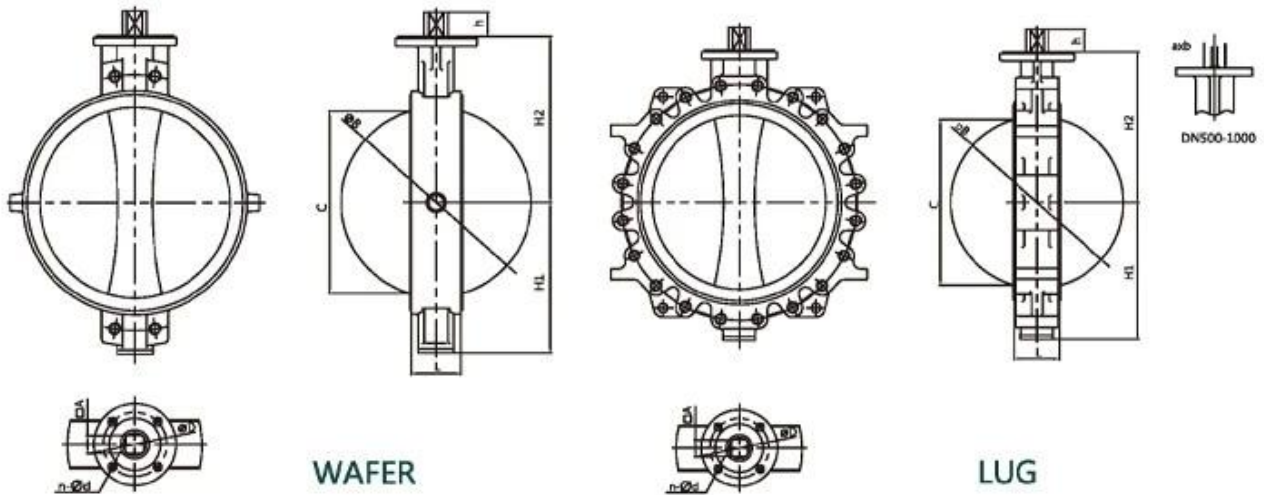
QUALITY STANDARD

- 100% quality test, follow DIN, ASTM, JIS, GB/T, ISO, BS EN, API
- ONLY ONE Manufacturer get CE certification up to DN1800
- 2 years warranty. 15000 times On-off test, 30000 times Destructive experiment



| | |
|------------------|--------------------------------|
| Size | DN32 - DN2400 □NPS1 1/4-NPS96) |
| Pressure ratings | PN6 - PN10 - PN16 (Class 150) |

| | |
|-------------------|--|
| Temperature range | -40°C+120°C |
| Material | Ductile iron, Stainless steel etc. |
| Seat material | NBR, EPDM, Nature rubber, Silicon, Viton |
| Connection | Wafer, Lug, U-Section, Double flange |



NPS14-NPS40 Wafer/Lug with alignment holes

| Size | L | H1 | H2 | h | A | ΦB | C | ΦG | a | b | ΦD | n-Φd | ISO5211 |
|-------|------|-------|-------|------|------|--------|-------|-------|------|------|--------|---------|---------|
| NPS14 | 3.07 | 10.63 | 11.81 | 1.42 | 1.06 | Φ13.31 | 12.95 | - | - | - | Φ4.92 | 4-Φ0.55 | F12 |
| NPS16 | 4.02 | 11.81 | 13.58 | 1.69 | 1.26 | Φ15.35 | 14.80 | - | - | - | Φ5.50 | 4-Φ0.71 | F14 |
| NPS18 | 4.49 | 12.99 | 14.76 | 1.93 | 4.42 | Φ17.20 | 16.61 | - | - | - | Φ5.50 | 4-Φ0.71 | F14 |
| NPS20 | 5.00 | 15.16 | 16.73 | 2.56 | - | Φ19.09 | 18.43 | Φ2.36 | 0.71 | 2.52 | Φ6.50 | 4-Φ0.87 | F16 |
| NPS24 | 6.06 | 17.24 | 19.49 | 2.76 | - | Φ23.03 | 22.24 | Φ2.36 | 0.71 | 2.52 | Φ6.50 | 4-Φ0.87 | F16 |
| NPS28 | 6.50 | 20.39 | 22.44 | 3.15 | - | Φ26.77 | 25.98 | Φ2.76 | 0.79 | 2.93 | Φ10.00 | 8-Φ0.71 | F25 |
| NPS30 | 6.50 | 21.46 | 24.02 | 3.15 | - | Φ28.74 | 27.95 | Φ2.76 | 0.79 | 2.93 | Φ10.00 | 8-Φ0.71 | F25 |
| NPS32 | 7.48 | 22.32 | 25.20 | 3.15 | - | Φ30.43 | 29.49 | Φ2.76 | 0.79 | 2.93 | Φ10.00 | 8-Φ0.71 | F25 |
| NPS36 | 7.99 | 25.59 | 27.56 | 3.94 | - | Φ34.49 | 33.54 | Φ3.15 | 0.87 | 3.35 | Φ10.00 | 8-Φ0.71 | F25 |
| NPS40 | 8.50 | 28.15 | 29.53 | 3.94 | - | Φ38.43 | 37.48 | Φ3.15 | 0.87 | 3.35 | Φ11.73 | 8-Φ0.87 | F30 |

APPLICATION SCENARIO



Industrial water application



Power plant



Sea water desalination



Water treatment



Water supply and drainage



HAVC



Food and drug



Water transport



COMPANY INFORMATION



I Business area: fluid control products, technology and environmental protection products.

II Advanced CNC machining centers, professional process cells, wide-range welding equipment, automatic assembly lines and coating.

III China's standard reference unit, to participate in the development of relevant valve industry standards.

IV We have set up a research and development center in Houston, Texas, in the United States.

V Product Standard: GB, German Standard, American Standard, TUV CE, ISO 9001, ADWO-2000, TS, PED, WRC WRAS, KTW, API 6D, API609.

VI Main production: [butterfly valve](#), ball valve, gate valve, check valve, globe valves, pipe fittings, manual / pneumatic / electric actuator, valve parts.



01

21 years of professional experience

03

Independent research and development team
28 top senior professional researchers

05

100% high level ex-factory inspection

07

2 years quality assurance, repair and replacement

4 factories

02

2 professional testing centers

04

High quality imported materials

06

COMPANY QUALIFICATION



COMPANY EXHIBITION



Partners



FAQ:

Q: If I need quotation, what informations do we need?

A: Valves' materials, Temperature, Pressure, Medium, Appllication System.

Q: Can you provide actuators, what you have?

A: Pneumatic, Electric, Hrdraulic, Solenoid Valves. RKSfluid actuators adopt USA technology. Which you need, just tell us.

Q: What's your productive capacity?

A: RKSfluid has four plants that can provide the products you need.

Q: Production lead time

A: Normal products have stock in 2~5 working days. Customized base on your need.

Q: MOQ

A: 1pc for all products.

Q: How about the quality assurance?

A: 100% quality test before delivery, 2 years warranty. Ensure your system working safety.

We got TUV, API, WRAS, CE, ISO certification.

Standard conform to DIN, ASME, BS EN, JIS, API, AWWA.

Q: How could you provide quality service to our customers?

A: RKSfluid own 20 years experiences and more than 70 R&D engineers provide technical support, model selection and installation guidance for you.