

Description

The two pieces of body wafer type butterfly valve and a concentric disc and seat configuration to with whole pack age PTFE sealed structure, takes whole package PTFE painting skills for the body. The painting thickness can reach up to 3~4mm, which effectively avoids the direct interaction between the body and the medium and the medium's corrosion for the body. Different painting skills and materials of valve's disc are taken according to the customer's need, such as PTFE and nylon painting, stainless steel and bronze material for the body, etc.

Feature

1. Absolutely tight sealing with flow in either direction
2. The valve body and disc are accurately machined which results in low operating torque and long service life and reliability
3. PTFE liner seated prevents corrosion and guarantees long service life
4. Can be disassembled,material specific recycling possible
5. Can be installed at the end of pipe for lugged type butterfly valve

DESIGN FEATURES



DURABLE :

- 1 piece non-welded PFA molded DSS Disc stem
- Precision casting WCB/CF8M Bodies

TRIPLE SEAL:

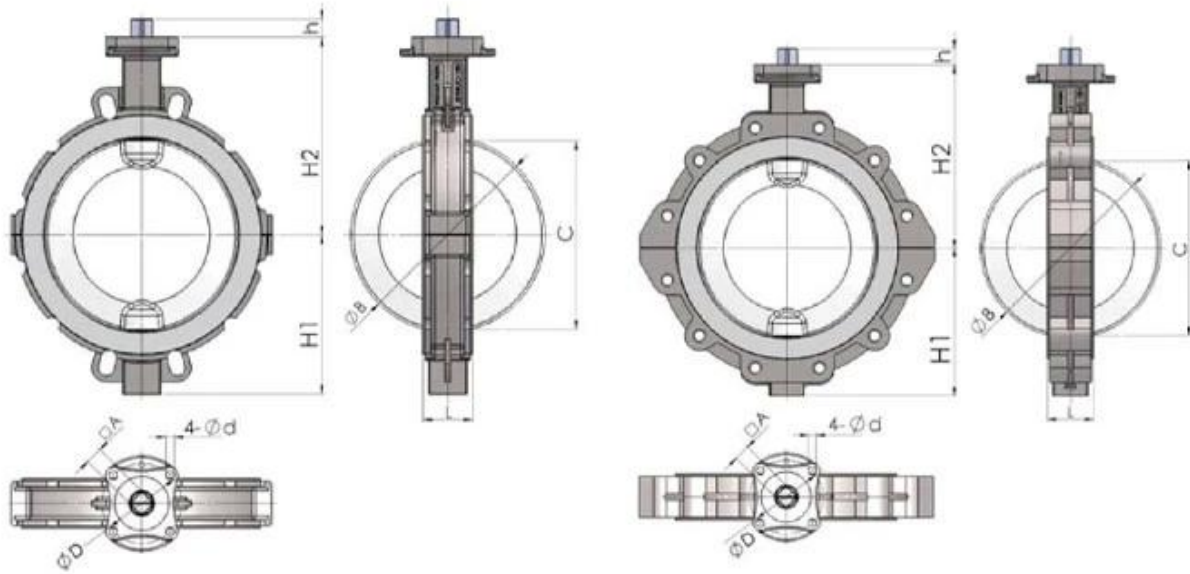
- Triple Seal:Spring loaded Mechanical seal,Ra-dial Lip Seal,FPM
- China ONLY ONE Manufacturer 400Mpa Iso-static pressing PTFE seat,consistent density

ANTI-CORROSION:

- Material: Epoxy powder
- Coating Thickness:200-250 μ m
- Spraying temp: over 200 $^{\circ}$ C. Doesn't fade, even wipe with diethyl ether

QUALITY STANDARD

- 100% quality test, follow DIN, ASTM, JIS, GB/T, ISO, BS EN, API
- ONLY ONE Manufacturer get CE certification up to DN1800
- 2 years warranty.15000 times On off test,30000 times Destructive experiment



Wafer

Lug

IMPERIAL DIMENSIONS:Inches

| Size | L | H1 | H2 | h | A | B | C | D | d | ISO5211 |
|----------|------|------|-------|------|------|-------|-------|------|------|---------|
| NPS2 | 1.69 | 2.20 | 5.31 | 0.47 | 0.43 | 2.01 | 1.08 | 1.97 | 0.28 | F05 |
| NPS2 1/2 | 1.81 | 3.35 | 5.91 | 0.47 | 0.43 | 2.72 | 1.99 | 1.97 | 0.28 | F05 |
| NPS3 | 1.81 | 3.74 | 6.30 | 0.63 | 0.55 | 3.27 | 2.70 | 2.76 | 0.35 | F07 |
| NPS4 | 2.05 | 4.13 | 7.09 | 0.63 | 0.55 | 4.06 | 3.50 | 2.76 | 0.35 | F07 |
| NPS5 | 2.20 | 4.92 | 7.68 | 0.63 | 0.55 | 5.00 | 4.49 | 2.76 | 0.35 | F07 |
| NPS6 | 2.20 | 5.71 | 10.04 | 0.63 | 0.55 | 5.98 | 5.57 | 2.76 | 0.35 | F07 |
| NPS8 | 2.36 | 6.69 | 9.45 | 0.83 | 0.75 | 7.99 | 7.64 | 4.02 | 0.47 | F10 |
| NPS10 | 2.68 | 8.07 | 11.81 | 0.94 | 0.87 | 10.00 | 9.65 | 4.92 | 0.51 | F12 |
| NPS12 | 3.07 | 9.84 | 12.20 | 1.14 | 1.06 | 12.01 | 11.61 | 4.92 | 0.51 | F12 |

APPLICATION SCENARIO



Industrial water application



Power plant



Sea water desalination



Water treatment



Water supply and drainage



HAVC



Food and drug



Water transport





COMPANY INFORMATION



I Business area: fluid control products, technology and environmental protection products.

II Advanced CNC machining centers, professional process cells, wide-range welding equipment, automatic assembly lines and coating.

III China's standard reference unit, to participate in the development of relevant valve industry standards.

IV We have set up a research and development center in Houston, Texas, in the United States.

V Product Standard: GB, German Standard, American Standard, TUV CE, ISO 9001, ADWO-2000, TS, PED, WRC WRAS, KTW, API 6D, API609.

VI Main production: butterfly valve, ball valve, gate valve, check valve, globe valves, pipe fittings, manual / pneumatic / electric actuator, valve parts.

01

21 years of professional experience

03

Independent research and development team
28 top senior professional researchers

05

100% high level ex-factory inspection

07

2 years quality assurance, repair and replacement

4 factories

02

2 professional testing centers

04

High quality imported materials

06

COMPANY QUALIFICATION



COMPANY EXHIBITION



Partners



Delivery



Payment



FAQ

Q: If I need quotation, what informations do we need?

A: Valves' materials, Temperature, Pressure, Medium, Applplication System.

Q: Can you provide actuators, what you have?

A: Pneumatic, Electric, Hrdraulic, Solenoid Valves. RKSfluid actuators adopt USA technology. Which you need, just tell us.

Q: What's your productive capacity?

A: RKSfluid has four plants that can provide the products you need.

Q: Production lead time

A: Normal products have stock in 2~5 working days. Customized base on your need.

Q: MOQ

A: 1pc for all products.

Q: How about the quality assurance?

A: 100% quality test before delivery, 2 years warranty. Ensure your system working safety.

We got TUV, API, WRAS, CE, ISO certification.

Standard conform to DIN, ASME, BS EN, JIS, API, AWWA.

Q: How could you provide quality service to our customers?

A: RKSfluid own 20 years experiences and more than 70 R&D engineers provide technical support, model selection and installation guidance for you.