



# RKSfluid®

A key Valve in Flow Control




Butterfly Valve



Ball Valve



Gate Valve



Globe Valve



Check Valve



Pipe Fittings

## RKS DOUBLE FLANGE ECCENTRIC BUTTERFLY VALVE DN100 - DN4000, PN10 / 16 / 25

This series of butterfly valves are used for industrial pipelines, as bi-directional open and close and regulation devices, the adjustment range is from 40°C- 90°C full open. Suitable temperature  $\leq 80^{\circ}\text{C}$



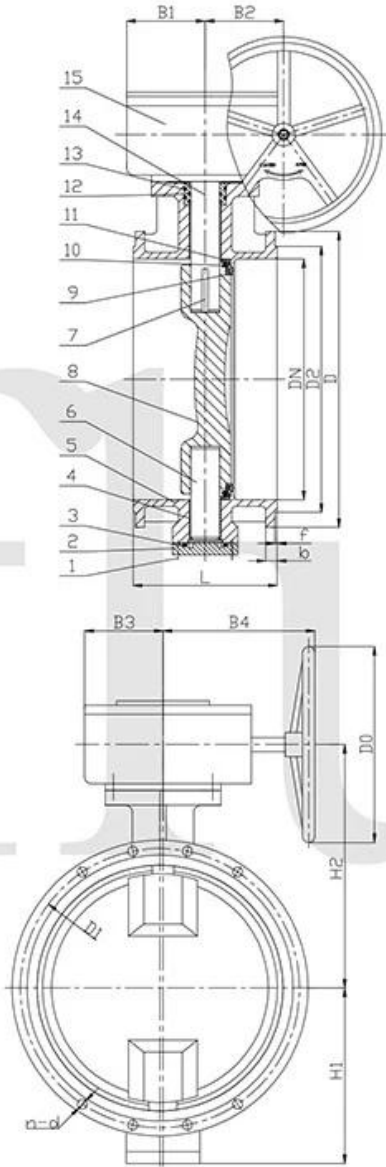
### Features:

- Hand wheel
- Gear box
- Electric actuation
- Metal seated butterfly valve
- Three-eccentric butterfly valve
- Center line butterfly valve

### Options:

- Double Flange Eccentric Resilient Seated Butterfly Valve
- Size range DN100-4000mm
- Standard - ISO / BS / DIN / AWWA / API
- Tests Standard - BS EN 12266-1
- Body - Ductile Iron / Cast Iron / Stainless Steel / WCB
- Disc - Ductile Iron / Cast Iron / Stainless Steel / WCB
- Body Ring - SS420 / SS304 / SS316
- Retaining Ring - SS420 / SS304 / SS316
- Disc Ring - EPDM
- Shaft - SS420 / SS431 / SS316
- Fusion bonded epoxy coating - Min 300 Microns

The designs, material and specifications shown are subject to change without notice due to our continuing programme of product development

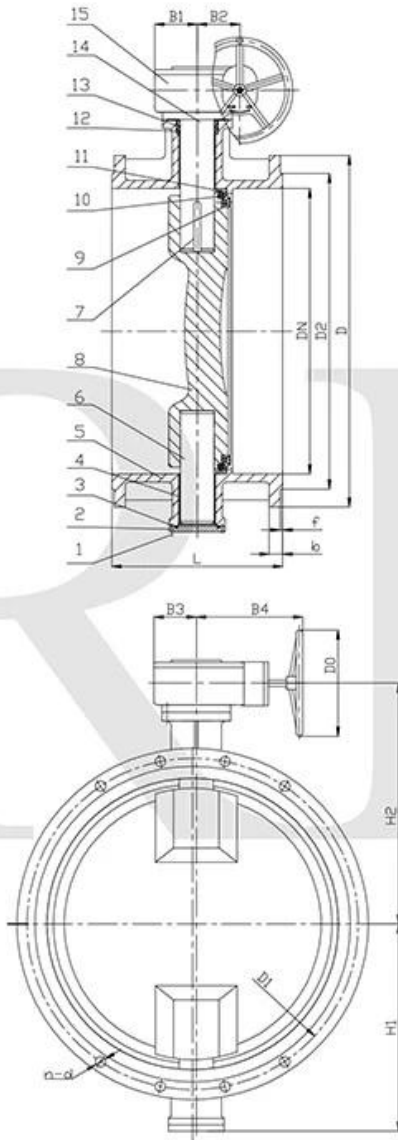


| SPECIFICATION             |       |       |
|---------------------------|-------|-------|
| Nominal pressure (MPa)    |       | 1.6   |
| Testing pressure(MPa)     | Seal  | 2.4   |
|                           | Shell | 1.76  |
| Working pressure (MPa)    |       | 1.6   |
| Suitable temperature (°c) |       | <80°c |
| Suitable medium           |       | Water |

| TECHNICAL REQUIREMENT |  |
|-----------------------|--|
| 1.                    | Face to face standard: EN 558 Series 14.         |
| 2.                    | Flanges standard: BS EN1092-2:1997 PN16.         |
| 3.                    | Tests standard: BS EN12266-1:2003 Part 1 Rate A. |

| MATERIALS OF CONSTRUCTION |                |
|---------------------------|----------------|
| No.                       | Part Name      |
| 1                         | Bolts          |
| 2                         | End plate      |
| 3                         | O-ring         |
| 4                         | Bushes         |
| 5                         | Body           |
| 6                         | Stub shaft     |
| 7                         | Key            |
| 8                         | Disk           |
| 9                         | Retaining ring |
| 10                        | Disk seal ring |
| 11                        | Body seal ring |
| 12                        | Stuffing       |
| 13                        | Stuffing box   |
| 14                        | Main shaft     |
| 15                        | Gearbox        |

|            |             |     |      |      |      |      |   |        |     |     |     |     |      |     |     |
|------------|-------------|-----|------|------|------|------|---|--------|-----|-----|-----|-----|------|-----|-----|
| 350        | 1.6         | 290 | Ø520 | Ø470 | Ø429 | 26.5 | 4 | 16-Ø28 | 153 | 110 | 141 | 341 | Ø360 | 296 | 381 |
| 300        | 1.6         | 270 | Ø460 | Ø410 | Ø370 | 24.5 | 4 | 12-Ø28 | 120 | 73  | 108 | 308 | Ø320 | 252 | 330 |
| 250        | 1.6         | 250 | Ø405 | Ø355 | Ø319 | 22   | 3 | 12-Ø28 | 120 | 73  | 108 | 308 | Ø320 | 223 | 300 |
| 200        | 1.6         | 230 | Ø340 | Ø295 | Ø266 | 20   | 3 | 12-Ø23 | 120 | 73  | 108 | 308 | Ø320 | 193 | 265 |
| 150        | 1.6         | 210 | Ø285 | Ø240 | Ø211 | 19   | 3 | 8-Ø23  | 80  | 53  | 80  | 257 | Ø160 | 156 | 218 |
| 100        | 1.6         | 190 | Ø220 | Ø180 | Ø156 | 19   | 3 | 8-Ø19  | 80  | 53  | 80  | 257 | Ø160 | 118 | 173 |
| DN<br>(mm) | PN<br>(MPa) | L   | D    | D1   | D2   | b    | f | n-d    | B1  | B2  | B3  | B4  | D0   | H1  | H2  |

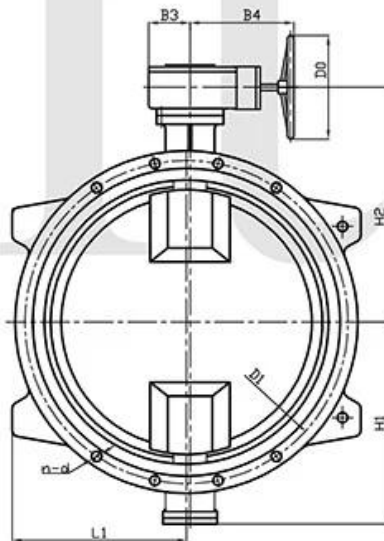
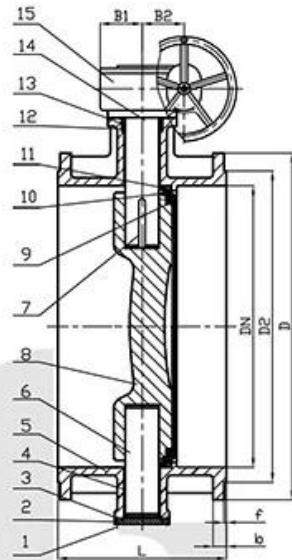


| SPECIFICATION             |       |       |
|---------------------------|-------|-------|
| Nominal pressure (MPa)    |       | 1.6   |
| Testing pressure(MPa)     | Seal  | 2.4   |
|                           | Shell | 1.76  |
| Working pressure (MPa)    |       | 1.6   |
| Suitable temperature (°c) |       | <80°c |
| Suitable medium           |       | Water |

| TECHNICAL REQUIREMENT |  |
|-----------------------|--|
| 1.                    | Face to face standard: EN 558 Series 14.         |
| 2.                    | Flanges standard: BS EN1092-2:1997 PN16.         |
| 3.                    | Tests standard: BS EN12266-1:2003 Part 1 Rate A. |

| MATERIALS OF CONSTRUCTION |                |
|---------------------------|----------------|
| No.                       | Part Name      |
| 1                         | Bolts          |
| 2                         | End plate      |
| 3                         | O-ring         |
| 4                         | Bushes         |
| 5                         | Body           |
| 6                         | Stub shaft     |
| 7                         | Key            |
| 8                         | Disk           |
| 9                         | Retaining ring |
| 10                        | Disk seal ring |
| 11                        | Body seal ring |
| 12                        | Stuffing       |
| 13                        | Stuffing box   |
| 14                        | Main shaft     |
| 15                        | Gearbox        |

|             |             |     |      |      |      |      |   |        |     |     |     |     |      |     |     |
|-------------|-------------|-----|------|------|------|------|---|--------|-----|-----|-----|-----|------|-----|-----|
| 600         | 1.6         | 390 | Ø840 | Ø770 | Ø720 | 36   | 5 | 20-Ø37 | 184 | 146 | 163 | 495 | Ø400 | 465 | 544 |
| 500         | 1.6         | 350 | Ø715 | Ø650 | Ø609 | 31.5 | 4 | 20-Ø34 | 153 | 110 | 141 | 449 | Ø360 | 385 | 482 |
| 450         | 1.6         | 330 | Ø640 | Ø585 | Ø548 | 30   | 4 | 20-Ø31 | 153 | 110 | 141 | 449 | Ø360 | 354 | 441 |
| 400         | 1.6         | 310 | Ø580 | Ø525 | Ø480 | 28   | 4 | 16-Ø31 | 153 | 110 | 141 | 449 | Ø360 | 320 | 411 |
| D N<br>(mm) | PN<br>(Mpa) | L   | D    | D 1  | D 2  | b    | f | n-d    | B1  | B2  | B3  | B4  | D0   | H1  | H2  |

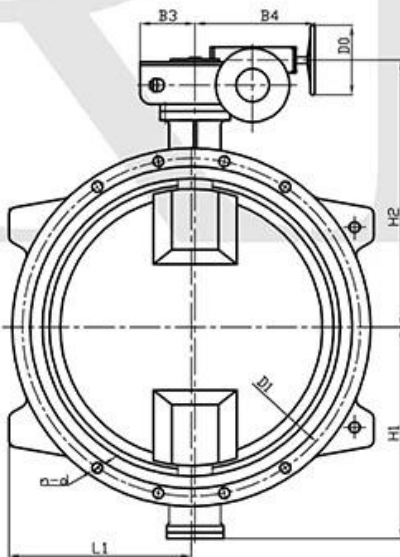
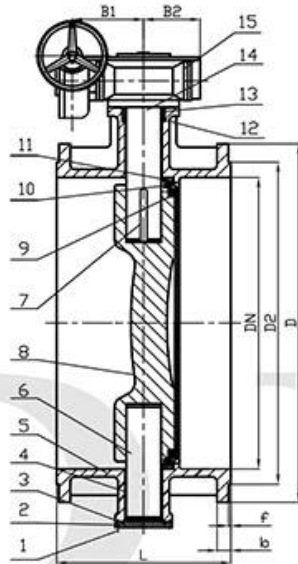


| SPECIFICATION             |       |      |
|---------------------------|-------|------|
| Nominal pressure (MPa)    | 1.6   |      |
| Testing pressure(MPa)     | Seal  | 2.4  |
|                           | Shell | 1.76 |
| Working pressure (MPa)    | 1.6   |      |
| Suitable temperature (°c) | <80°c |      |
| Suitable medium           | Water |      |

| TECHNICAL REQUIREMENT                              |  |
|--|--|
| 1.Face to face standard: EN 558 Series 14.         |  |
| 2.Flanges standard: BS EN1092-2:1997 PN16.         |  |
| 3.Tests standard: BS EN12266-1:2003 Part 1 Rate A. |  |

| MATERIALS OF CONSTRUCTION |                |
|---------------------------|----------------|
| No.                       | Part Name      |
| 1                         | Bolts          |
| 2                         | End plate      |
| 3                         | O-ring         |
| 4                         | Bushes         |
| 5                         | Body           |
| 6                         | Stub shaft     |
| 7                         | Key            |
| 8                         | Disk           |
| 9                         | Retaining ring |
| 10                        | Disk seal ring |
| 11                        | Body seal ring |
| 12                        | Stuffing       |
| 13                        | Stuffing box   |
| 14                        | Main shaft     |
| 15                        | Gearbox        |

|            |             |     |       |      |      |      |   |        |     |     |     |     |     |      |     |     |
|------------|-------------|-----|-------|------|------|------|---|--------|-----|-----|-----|-----|-----|------|-----|-----|
| 800        | 1.6         | 470 | Ø1025 | Ø950 | Ø901 | 43   | 5 | 24-Ø41 | 184 | 146 | 163 | 495 | 522 | Ø400 | 570 | 659 |
| 700        | 1.6         | 430 | Ø910  | Ø840 | Ø794 | 39.5 | 5 | 24-Ø37 | 184 | 146 | 163 | 495 | 465 | Ø400 | 530 | 610 |
| DN<br>(mm) | PN<br>(MPa) | L   | D     | D1   | D2   | b    | f | n-d    | B1  | B2  | B3  | B4  | L1  | D0   | H1  | H2  |

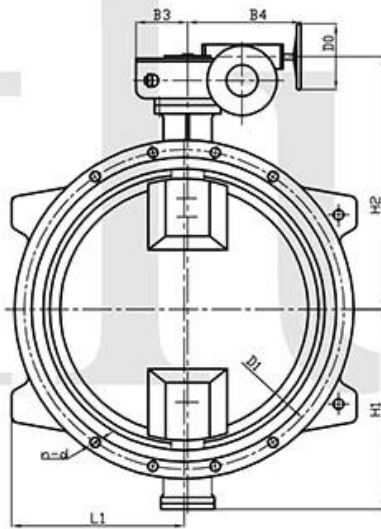
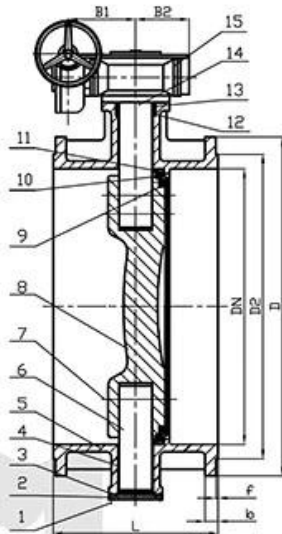


| SPECIFICATION             |       |      |
|---------------------------|-------|------|
| Nominal pressure (MPa)    | 1.6   |      |
| Testing pressure(MPa)     | Seal  | 2.4  |
|                           | Shell | 1.76 |
| Working pressure (MPa)    | 1.6   |      |
| Suitable temperature (°c) | <80°c |      |
| Suitable medium           | Water |      |

| TECHNICAL REQUIREMENT                              |  |  |
|--|--|--|
| 1.Face to face standard: EN 558 Series 14.         |  |  |
| 2.Flanges standard: BS EN1092-2:1997 PN16.         |  |  |
| 3.Tests standard: BS EN12266-1:2003 Part 1 Rate A. |  |  |

| MATERIALS OF CONSTRUCTION |                |
|---------------------------|----------------|
| No.                       | Part Name      |
| 1                         | Bolts          |
| 2                         | End plate      |
| 3                         | O-ring         |
| 4                         | Bushes         |
| 5                         | Body           |
| 6                         | Stub shaft     |
| 7                         | Key            |
| 8                         | Disk           |
| 9                         | Retaining ring |
| 10                        | Disk seal ring |
| 11                        | Body seal ring |
| 12                        | Stuffing       |
| 13                        | Stuffing box   |
| 14                        | Main shaft     |
| 15                        | Gearbox        |

|             |             |     |       |       |       |      |   |        |     |     |     |     |     |      |     |      |
|-------------|-------------|-----|-------|-------|-------|------|---|--------|-----|-----|-----|-----|-----|------|-----|------|
| 1200        | 1.6         | 630 | Ø1485 | Ø1390 | Ø1328 | 57   | 5 | 32-Ø50 | 237 | 218 | 263 | 545 | 750 | Ø500 | 845 | 1058 |
| 1100        | 1.6         | 550 | Ø1355 | Ø1270 | Ø1218 | 53.5 | 5 | 32-Ø44 | 237 | 218 | 263 | 545 | 685 | Ø500 | 760 | 973  |
| 1000        | 1.6         | 550 | Ø1255 | Ø1170 | Ø1112 | 50   | 5 | 28-Ø44 | 237 | 218 | 263 | 545 | 635 | Ø500 | 710 | 932  |
| 900         | 1.6         | 510 | Ø1125 | Ø1050 | Ø1001 | 46.5 | 5 | 28-Ø41 | 211 | 183 | 220 | 496 | 570 | Ø500 | 640 | 811  |
| D N<br>(mm) | PN<br>(Mpa) | L   | D     | D 1   | D 2   | b    | f | n-d    | B1  | B2  | B3  | B4  | L1  | D 0  | H 1 | H 2  |



| SPECIFICATION             |       |      |
|---------------------------|-------|------|
| Nominal pressure (MPa)    | 1.6   |      |
| Testing pressure(MPa)     | Seal  | 2.4  |
|                           | Shell | 1.76 |
| Working pressure (MPa)    | 1.6   |      |
| Suitable temperature (°c) | <80°c |      |
| Suitable medium           | Water |      |

| TECHNICAL REQUIREMENT                               |  |
|---|--|
| 1.Face to face standard: EN 558 Series 14.          |  |
| 2.Flanges standard: BS EN1092-2:1997 PN16.          |  |
| 3.Tests standard: BS EN12266-1:2003 Part 1 Rate A . |  |

| MATERIALS OF CONSTRUCTION |                |
|---------------------------|----------------|
| No.                       | Part Name      |
| 1                         | Bolts          |
| 2                         | End plate      |
| 3                         | O-ring         |
| 4                         | Bushes         |
| 5                         | Body           |
| 6                         | Stub shaft     |
| 7                         | Key            |
| 8                         | Disk           |
| 9                         | Retaining ring |
| 10                        | Disk seal ring |
| 11                        | Body seal ring |
| 12                        | Stuffing       |
| 13                        | Stuffing box   |
| 14                        | Main shaft     |
| 15                        | Gearbox        |

|            |             |      |       |       |       |      |   |        |     |     |     |     |      |      |      |      |
|------------|-------------|------|-------|-------|-------|------|---|--------|-----|-----|-----|-----|------|------|------|------|
| 3000       | 1.6         | 1350 | Ø3390 | Ø3270 | Ø3190 | 100  | 6 | 68-Ø62 | 595 | 550 | 570 | 921 | 1703 | Ø640 | 2040 | 2550 |
| 2800       | 1.6         | 1270 | Ø3185 | Ø3070 | Ø2990 | 95   | 6 | 64-Ø62 | 595 | 550 | 570 | 921 | 1600 | Ø640 | 1910 | 2420 |
| 2600       | 1.6         | 1190 | Ø2965 | Ø2850 | Ø2780 | 90   | 6 | 60-Ø62 | 595 | 550 | 570 | 921 | 1490 | Ø640 | 1760 | 2280 |
| 2500       | 1.6         | 1150 | Ø2865 | Ø2750 | Ø2670 | 88   | 6 | 56-Ø62 | 595 | 550 | 570 | 921 | 1440 | Ø640 | 1700 | 2190 |
| 2400       | 1.6         | 1110 | Ø2765 | Ø2650 | Ø2570 | 85   | 6 | 56-Ø62 | 595 | 550 | 570 | 921 | 1390 | Ø640 | 1595 | 2095 |
| 2200       | 1.6         | 1030 | Ø2555 | Ø2440 | Ø2370 | 80   | 6 | 52-Ø62 | 352 | 330 | 380 | 779 | 1290 | Ø640 | 1418 | 1850 |
| 2000       | 1.6         | 950  | Ø2345 | Ø2230 | Ø2150 | 75   | 5 | 48-Ø62 | 352 | 320 | 330 | 779 | 1180 | Ø500 | 1340 | 1715 |
| 1800       | 1.6         | 870  | Ø2130 | Ø2020 | Ø1950 | 70   | 5 | 44-Ø57 | 352 | 320 | 330 | 779 | 1075 | Ø500 | 1203 | 1594 |
| 1600       | 1.6         | 790  | Ø1930 | Ø1820 | Ø1750 | 65   | 5 | 40-Ø57 | 285 | 275 | 325 | 546 | 975  | Ø640 | 1135 | 1424 |
| 1500       | 1.6         | 750  | Ø1820 | Ø1710 | Ø1640 | 62.5 | 5 | 36-Ø57 | 285 | 275 | 325 | 546 | 918  | Ø640 | 1035 | 1326 |
| 1400       | 1.6         | 710  | Ø1685 | Ø1590 | Ø1530 | 60   | 5 | 36-Ø50 | 285 | 275 | 325 | 546 | 850  | Ø640 | 976  | 1251 |
| 1300       | 1.6         | 710  | Ø1585 | Ø1490 | Ø1430 | 60   | 5 | 32-Ø50 | 237 | 218 | 263 | 545 | 802  | Ø500 | 905  | 1118 |
| DN<br>(mm) | PN<br>(Mpa) | L    | D     | D 1   | D 2   | b    | f | n-d    | B1  | B2  | B3  | B4  | L1   | D0   | H1   | H2   |





# APPLICATION SCENARIO



Industrial water application



Power plant



Sea water desalination



Water treatment



Water supply and drainage



HAVC



Food and drug



Water transport



# Our Factory



RKS Fluid è stata fondata nel 1997. Siamo un laboratorio di produzione sia per fonderia che per la lavorazione, il centro di ricerca e sviluppo e il centro di ispezione di qualità. I servizi di produzione includono centri di lavorazione CNC, celle di lavorazione professionali, ampie apparecchiature per saldatura dello spettro, assemblaggio automatico e linee di rivestimento. Abbiamo costruito una squadra per il design, la ricerca e lo sviluppo. Il nostro nuovo centro di test

come centro di prova della piattaforma di servizio pubblico nella provincia di Liaoning, diventa il GB standard dell'unità di riferimento della valvola cinese, per partecipare allo sviluppo degli standard del settore della valvola pertinenti. Al fine di accelerare l'espansione dell'integrazione delle risorse e delle risorse d'oltremare e di sostenere il successo delle vendite di fluidi RKS negli Stati Uniti, tedesco, Russia. Abbiamo agenti degli Stati Uniti. I nostri standard di progettazione di prodotti coprono: GB, ISO, standard tedesco e americano, approvato da TUV per CE e ADWO- 2000, ISO9001, TS, API. I nostri prodotti: valvole a sfera manuali, pneumaticamente ed elettriche, valvole a farfalla e valvole a cancelli. Valvole di ritegno, valvole di controllo automatiche. Castings e raccordi: corpi valvole, corpi, dischi, steli, camicia, giunti universali, adattatori flangiati, selle maschiatura. Dopo anni di sviluppo, continuiamo a migliorare e cercare innovazione mentre aderiamo a "Tecnologia collaudata, caratteristiche superiori e valore leggendario "Come la nostra filosofia del valore del prodotto. La soddisfazione del cliente è il nostro obiettivo di lavoro!

## Our Certificates



## Exhibition Photos

