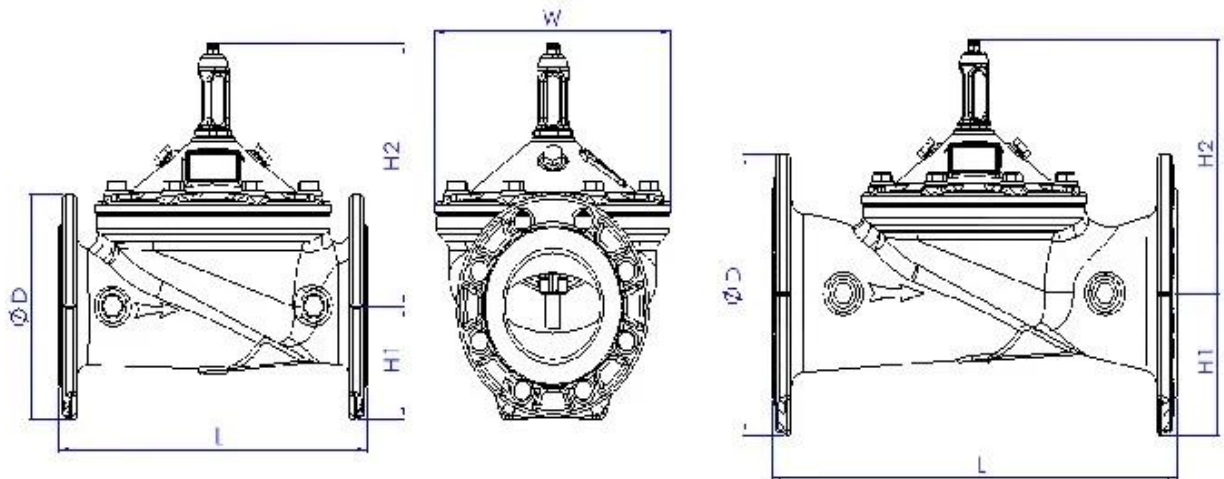


1. CNC加工
 2. GSK/WIS
 3. 0.5mm
 4. 1.1xpn+1mm
 5. 1.5xpn+1mm
 6. +/- 0.2mm
 7. 1000mm
 8. WRAS/KTW/NSF/FDA/ACS

Size	DN40-DN1200
Working Medium	Water
Temperature	0°C~70°C
Material	Ductile Iron/Stainless Steel/Cast Steel/Bronze/Aluminum Alloy
Design Standards	CJ/T 219 & JB/T 10674 & EN 1074-5
Pressure Level	PN10, PN16, PN25
Stress Test Standard	GB/T 13927 & ISO 5208 & EN12266-1
Flange drilling standard	GB17241.6; EN1092-2; ISO7005-2; ANSI / JIS / AS2129
Structure Length	GB 12221 & EN558-1





i

divanced Advanced CNC

relaved

us

inude GB TUV CE ISO 9001 ADWO-2000 TS PED WRC WRA KTW API 6D API609

VI / /



Exhibition Photos



Q

A RKSfluid 20 70 R D