

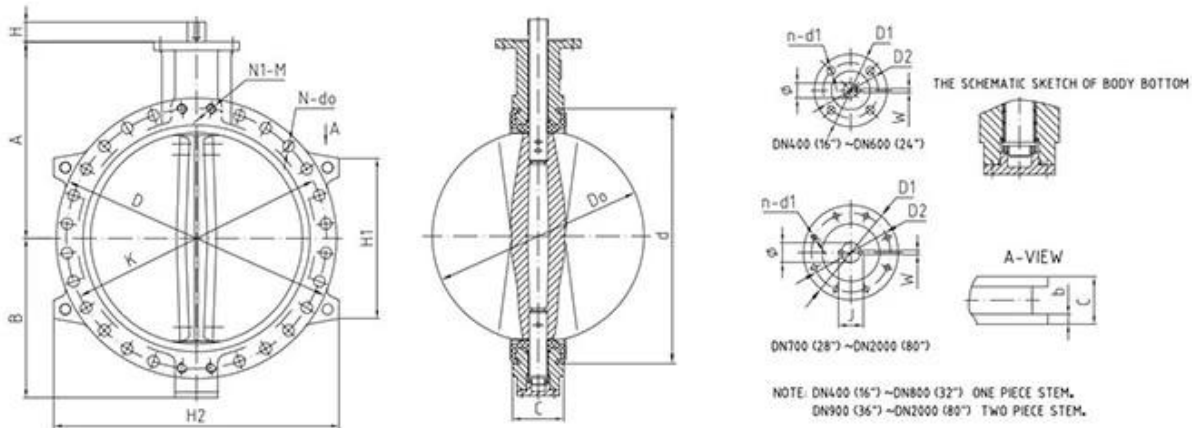
EN558-1 20

1.

2.

3.

DN32 -DN2400
PN6 -PN10 -PN16 150
-40°C-+120°C
NBR EPDM Nature Rubber Silicon Viton
U



APPLICATION SCENARIO



Industrial water application



Power plant



Sea water desalination



Water treatment



Water supply and drainage



HAVC



Food and drug



Water transport



COMPANY INFORMATION



is a leading manufacturer of advanced CNC

divanced Advanced CNC machinery and related

related products and services.

us in the manufacturing industry.

include GB, TUV CE, ISO 9001, ADWO-2000, TS, PED, WRC, WRA, KTW, API 6D, API609.

VIETNAM [www.vietnam.com](#) / [www.vietnam.com](#) / [www.vietnam.com](#)





COMPANY EXHIBITION



