

1. 产品特点

1.1 产品特点

1.2 Diffuser

1.3 产品特点

1.4 产品特点

1.5 产品特点

1.6 产品特点

1.7 产品特点

1.8 产品特点

1.9 产品特点

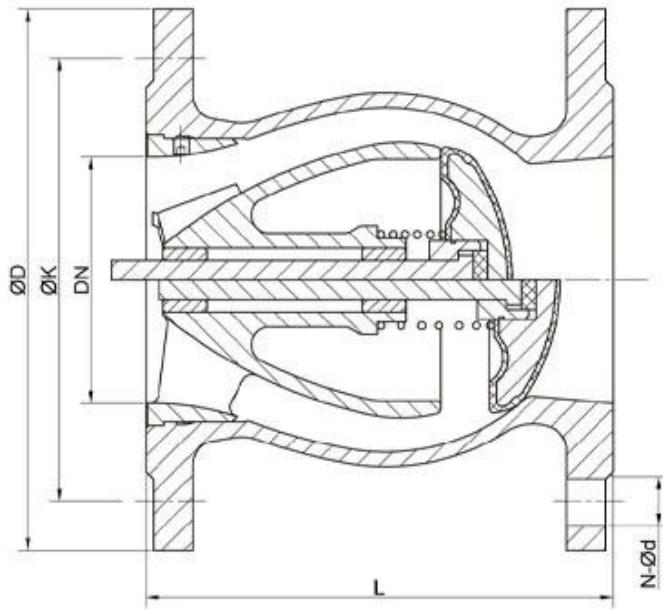
1.10 产品特点

1.11 EN 558-1 ISO 5752 EN 1092-2 ISO 7005-2

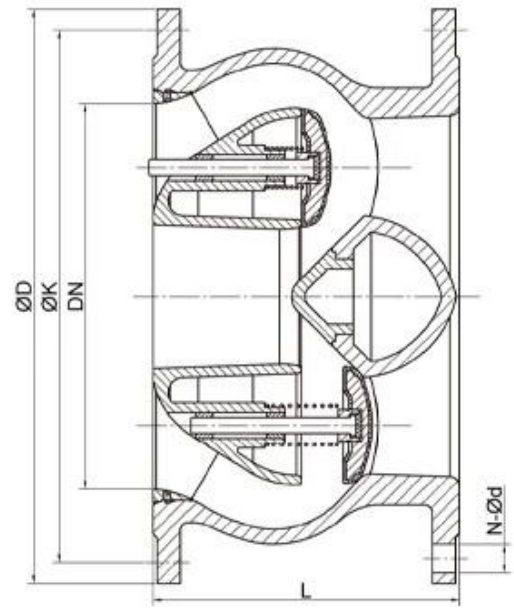


- Streamlined, minimum noise
- Backflow velocity only 0.2s, Head loss 0.1bar with 2m/s
- EPDM/NBR Rubber fully coated disc
- Anti-erosion design. Self-adjusting ball
- Self-cleaning stem, Long time smooth operation

规格	DN50 -DN600 NPS2 -NPS24
压力等级	PN10/16/25
温度范围	0 °C +80°C
材质	铸钢
密封材料	橡胶
执行标准	GB/T 12235-2007
法兰标准	EN 558-1
法兰标准	EN 1092-2



NPS2-NPS14 (DN50-DN350)



NPS16-NPS24 (DN400-DN600)



# COMPANY INFORMATION



i

divanced Advanced CNC

related

us

inude GB TUV CE ISO 9001 ADWO-2000 TS PED WRC WRA KTW API 6D API609

VI / /

# COMPANY FACTORY



01

21 years of professional experience

03

Independent research and development team  
28 top senior professional researchers

05

100% high level ex-factory inspection

07

2 years quality assurance, repair and replacement

4 factories

02

2 professional testing centers

04

High quality imported materials

06

# COMPANY QUALIFICATION





**Q**

A

**Q Moq**

A

**Q**

A

TUV API WRA CE ISO

din asme bs en jis api awwa

**Q**

A RKSfluid 20 70 R D