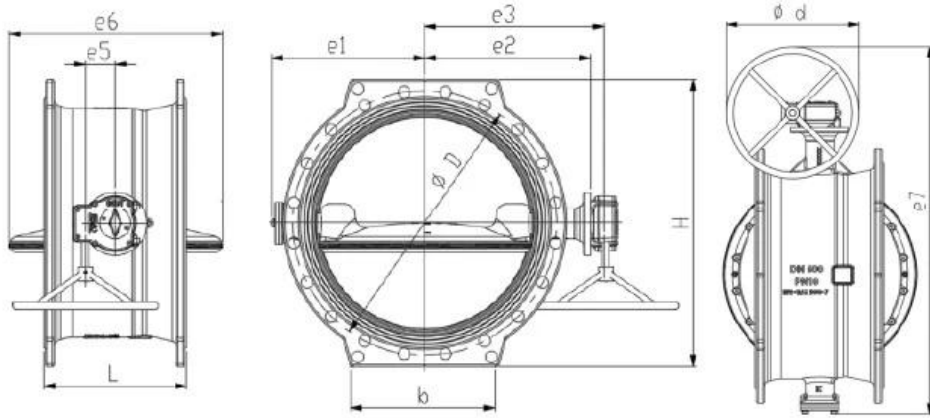


ATHENA
 ATHENA



1. ...
2. ... 24 ...

...	DN200 DN1800
...	PN10 PN16 PN25 PN40
...	...
...	80°C
...	EN 593 EN1074-1/2
...	EN558 13 14
...	...

APPLICATION SCENARIO



Industrial water application



Power plant



Sea water desalination



Water treatment



Water supply and drainage



HAVC



Food and drug



Water transport



COMPANY FACTORY



COMPANY INFORMATION



I 公司位于中国山东省潍坊市青州市经济开发区

II 公司拥有 CNC 加工中心 100 余台，具备年产 100 万台精密铸件的生产能力

III 公司拥有完善的质量管理体系，通过了 ISO 9001 认证

IV 公司拥有完善的质量管理体系，通过了 ISO 9001 认证

V 公司拥有 GB/T 19001-2016/ISO 9001:2015、TUV CE、ISO 9001、ADWO-2000、TS、PED、WRC WRAS、KTW、API 6D、API609 等认证

VI 公司拥有完善的质量管理体系，通过了 ISO 9001 认证

01

21 years of professional experience

03

Independent research and development team
28 top senior professional researchers

05

100% high level ex-factory inspection

07

2 years quality assurance, repair and replacement

4 factories

02

2 professional testing centers

04

High quality imported materials

06

COMPANY QUALIFICATION



COMPANY EXHIBITION



Partners



