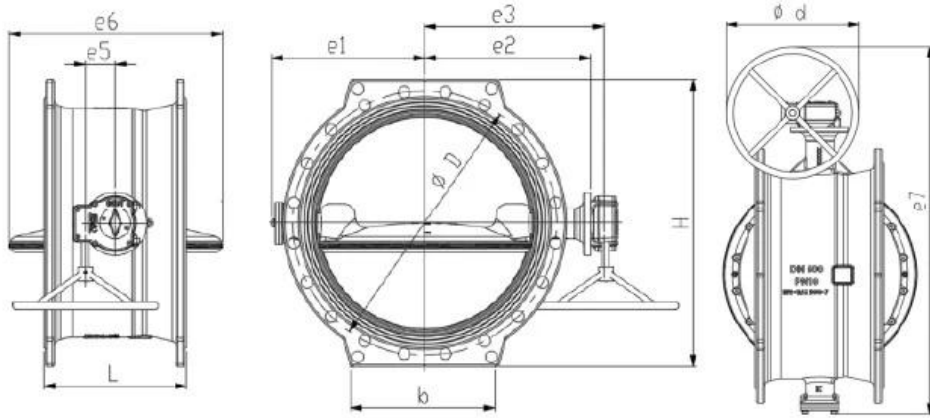


ATHENA
 ATHENA



1. ATHENA
2. ATHENA 24

ATHENA	DN200-DN1800
ATHENA	PN10 PN16 PN25 PN40
ATHENA	ATHENA
ATHENA	-10°C-60°C
ATHENA	EN 593 ATHENA EN1074-1/2
ATHENA	EN558 ATHENA 13 ATHENA 14
ATHENA	ATHENA

APPLICATION SCENARIO



Industrial water application



Power plant



Sea water desalination



Water treatment



Water supply and drainage



HAVC



Food and drug



Water transport



COMPANY FACTORY



COMPANY INFORMATION



I 公司位于中国山东省潍坊市青州市

II 公司拥有 CNC 加工中心 能够承接各种精密机械加工业务

III 公司拥有完善的质量管理体系

IV 公司拥有专业的研发团队

V 公司拥有 GB 标准的生产设备 TUV CE ISO 9001 ADWO-2000 TS PED WRC WRAS KTW API 6D API609

VI 公司拥有完善的销售网络

01

21 years of professional experience

03

Independent research and development team
28 top senior professional researchers

05

100% high level ex-factory inspection

07

2 years quality assurance, repair and replacement

4 factories

02

2 professional testing centers

04

High quality imported materials

06

COMPANY QUALIFICATION



COMPANY EXHIBITION



Partners



