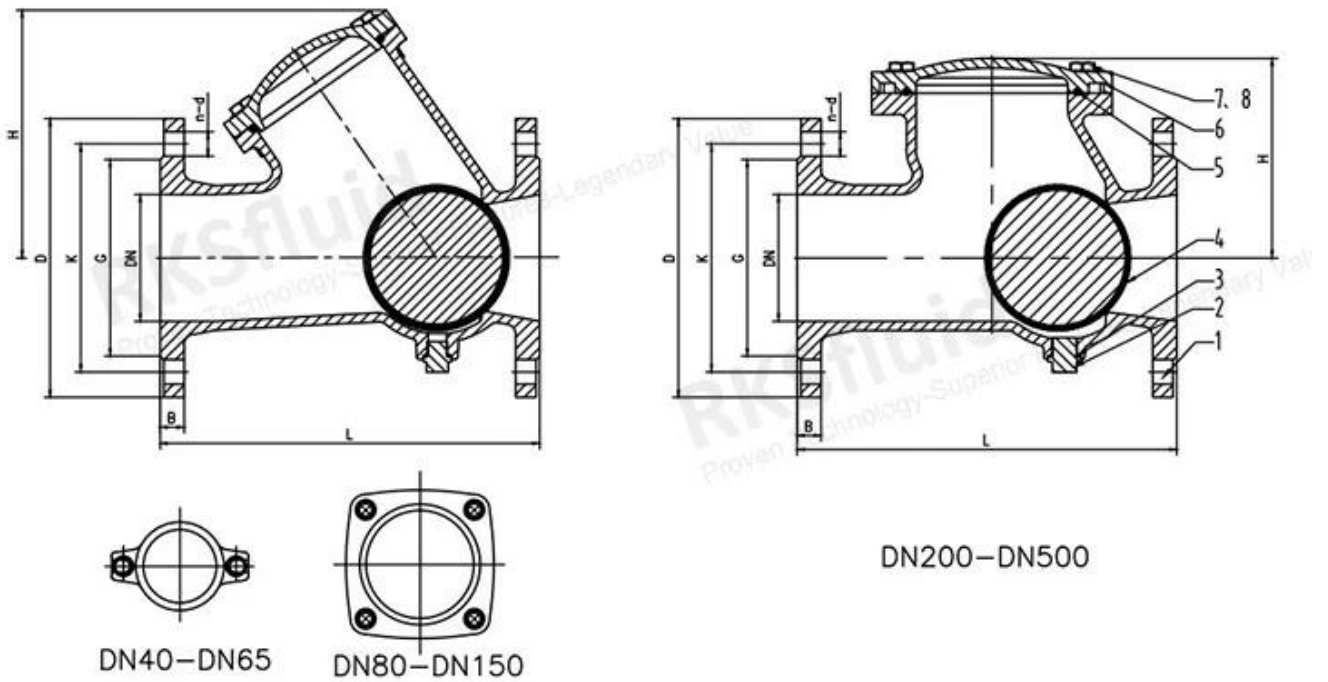


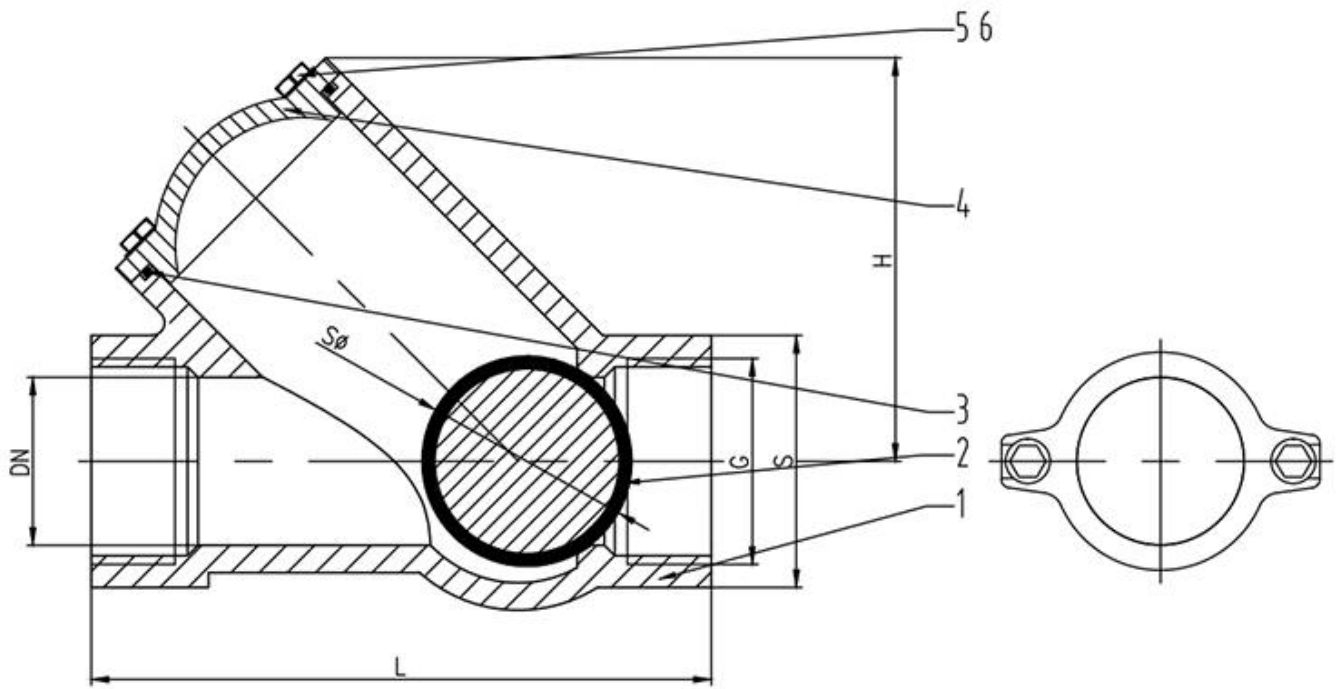
RKSfluid  
 din3202-f6

RKSfluid



1	□	□
2	□	□
3	o□	AISI304□
4	□	NBR
5	o□	□+NBR
6	□	NBR
7	□	□
8	□	AISI304□

RKSfluid



## COMPANY INFORMATION



Advanced CNC Machining Center

Advanced CNC Machining Center Professional Process Cells

china

centration

v GB American Standard Tuv CE ISO 9001 ADWO-2000 TS PED WRC  
WRA KTW API 6D API609

VI / /



# COMPANY FACTORY





## COMPANY EXHIBITION



# COMPANY QUALIFICATION



## Partners





A RKSfluid 20 70 R D