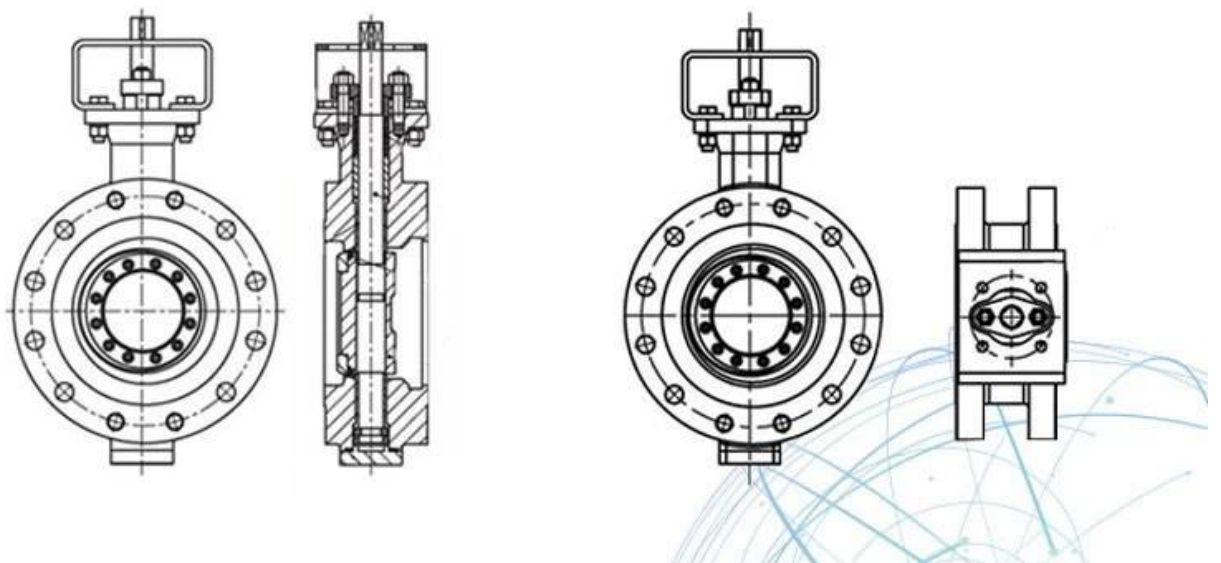


## DESIGN FEATURES



## APPLICATION SCENARIO



Industrial water application



Power plant



Petroleum



Nuclear plant



Hydroelectric power



Marine operation



Healing drugs



Refined coal



## Our Factory



# Company Advantages



Advanced CNC

related

us

include GB TUV CE ISO 9001 ADWO-2000 TS PED WRC WRA KTW API 6D API609



