

## DESIGN FEATURES



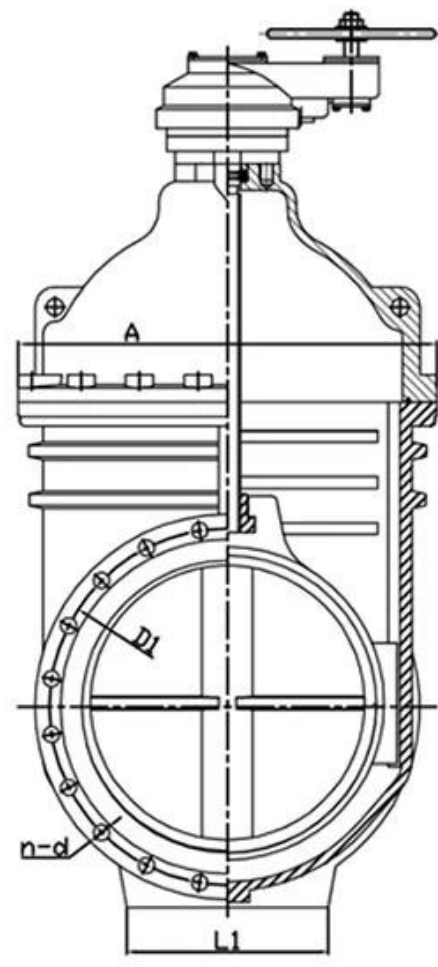
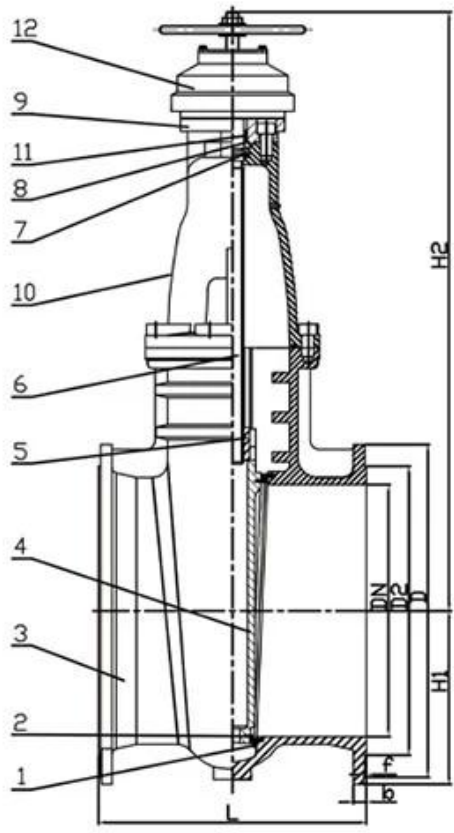
### ● TECHNICAL REQUIREMENT

- 1.Design standard:BS 5163.
- 2.Face to face:BS 5163.
- 3.Flanges standard:BS EN1092-2:1997 PN16.
- 4.Test standard:BS EN12266-1 Rate B.

### ● FEATURES

- Double flange metal seated gate valve
- Size Range:DN50-DN2000
- Standard-ISO/BS/DIN/AWWA/API
- Tests Standard-BS EN 12266-1
- Body Ring-Bronze/SS420/SS304/SS316
- Body-Ductile Iron /Cast Iron/Stainless Steel /WCB
- Fusion bonded epoxy coating-min 300 microns





**RELATED PRODUCTS**



**SMALL DIAMETER GATE VALVE**  
DN50-DN300,PN10/16/25



**METAL SEATED GATE VALVE**  
DN350-DN600,PN10/16/25



**LARGE DIAMETER METAL SEATED GATE VALVE**  
DN700-DN2000,PN10/16/25

# APPLICATION SCENARIO



Industrial water application



Power plant



Sea water desalination



Water treatment



Water supply and drainage



HAVC



Food and drug



Water transport





COMPANY FACTORY



# COMPANY INFORMATION



is a leading manufacturer of

divanced Advanced CNC machine tools and related products

related products and services

us and other international markets

include GB, TUV CE, ISO 9001, ADWO-2000, TS, PED, WRC, WRA, KTW, API 6D, API609

VIETNAM, CHINA, INDIA, MALAYSIA, SINGAPORE, THAILAND, INDONESIA, PHILIPPINES, VIETNAM, CHINA, INDIA, MALAYSIA, SINGAPORE, THAILAND, INDONESIA, PHILIPPINES, VIETNAM, CHINA, INDIA, MALAYSIA, SINGAPORE, THAILAND, INDONESIA, PHILIPPINES



01

21 years of professional experience

03

Independent research and development team  
28 top senior professional researchers

05

100% high level ex-factory inspection

07

2 years quality assurance, repair and replacement

4 factories

02

2 professional testing centers

04

High quality imported materials

06

# COMPANY QUALIFICATION





