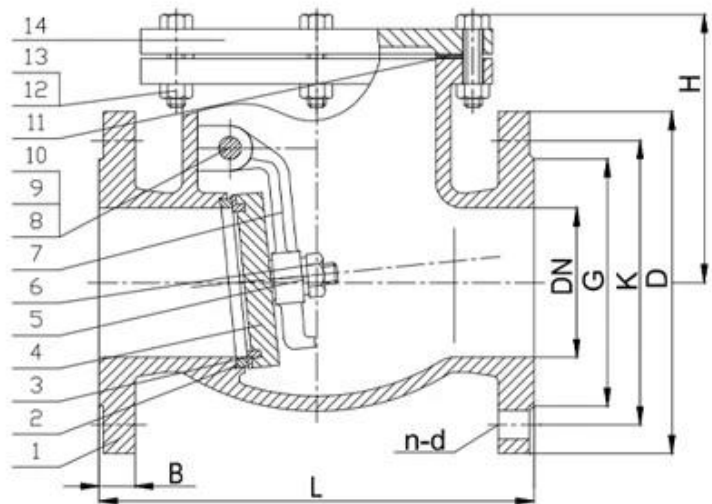
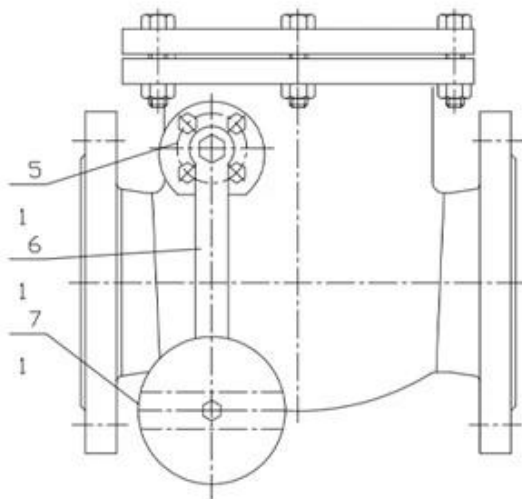


AWWA C515
ASME B16.1/16.42

BS5153
EN12266
0-80°C
11/18bar
15/24Bar
pn 10/16Bar
dn DN40-DN400

AWWA C515	ASME B16.1/16.42
BS5153	EN12266
0-80°C	
11/18bar	
15/24Bar	
pn 10/16Bar	
dn DN40-DN400	



APPLICATION SCENARIO



Industrial water application



Power plant



Sea water desalination



Water treatment



Water supply and drainage



HAVC



Food and drug



Water transport



COMPANY INFORMATION



Advanced CNC Machining Center

Professional Process Cells

China

certification

GB American Standard Tuv CE ISO 9001 ADWO-2000 TS PED WRC WRA KTW API 6D API 609

VI



COMPANY EXHIBITION



COMPANY QUALIFICATION



Partners



