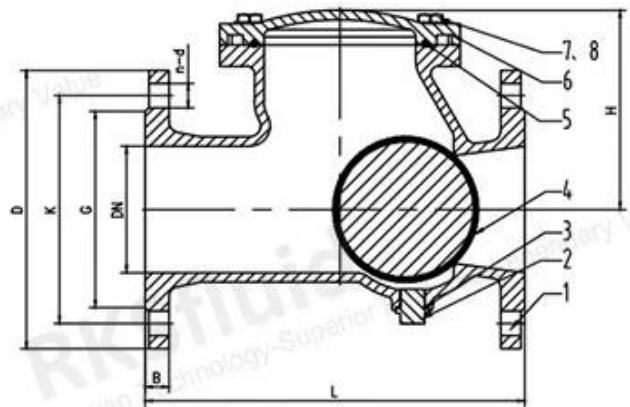
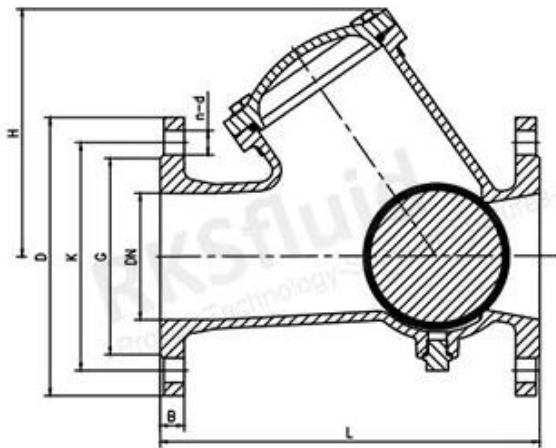
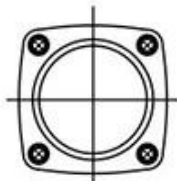


1
 RKSfluid

Model	JPRM1171
Model	JPRM1092-2
Standard	DIN 12266-1
Material	Stainless Steel
Pressure	PN
Temperature	0-80°C
Connection	11/18"
Connection	15/24"
Pressure	PN10/16
Size	DN40-DN500
Weight	Lightweight



DN40-DN65



DN80-DN150

DN200-DN500

COMPANY INFORMATION



I 廠房及設備

II 廠房 CNC 廠房 廠房及設備

III 廠房及設備

IV 廠房及設備

V 廠房 GB 廠房 TUV CE ISO 9001 ADWO-2000 TS PED WRC WRAS KTW API 6D API 609

VI 廠房及設備

COMPANY FACTORY



SHIPPING PACKAGING



01

21 years of professional experience

03

Independent research and development team
28 top senior professional researchers

05

100% high level ex-factory inspection

07

2 years quality assurance, repair and replacement

4 factories

02

2 professional testing centers

04

High quality imported materials

06

COMPANY QUALIFICATION



COMPANY EXHIBITION



Partners



