

DESIGN FEATURES

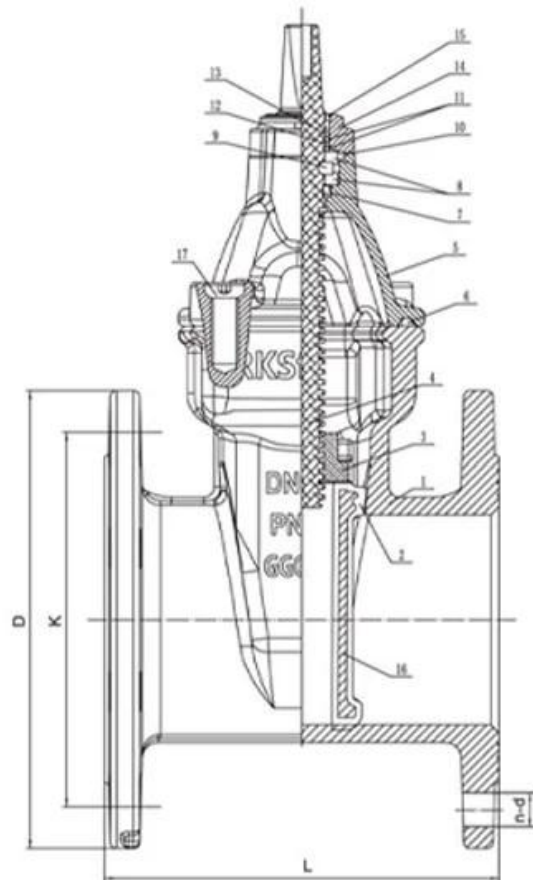


Features



- Use AkzoNobel material.
- Super Anti-corrosion
- Epoxy powder coating 200-250um,
- Baking varnish over 200°C,

| NO. | | |
|-----|----------------|------------------|
| 1 | Body | GGG50 |
| 2 | Dise | GGG40+EPDM |
| 3 | Wedge nut | C48600 |
| 4 | Stem | SS431 |
| 5 | Bonnet | GT450-10 |
| 6 | Gasket | EPDM |
| 7 | Y-ring | EPDM85-90 |
| 8 | Fix ring | CuZn21Si3/C69300 |
| 9 | Thrust bearing | C69300 |
| 10 | Seal ring | EPDM70 |
| 11 | O ring | NBR |
| 12 | Retainer ring | POM |
| 13 | Bushing ring | POM |
| 14 | Gland | SS431 |
| 15 | Dustproof ring | EPDM85 |
| 16 | Dise core | GGG40 |
| 17 | Bolt | SS316 |





Free wedge nut, **reduces the stem bending forces** and at the same time enables it to be easily replaced.



The more compact new cap, reduces the water retention areas in order to reduce the risk of bacterial growth.



One piece stainless steel stem in for **better resistance to axial load and to with stand higher operating torques.**



Three locking tab for bayonet system prevents self-dismantling.



Dust guard integrating three O-ring shape, **prohibiting the introduction of foreign bodies** at the stem.



Male guiding system with composite sliding skate reduces the wear of the wedge against the body, allowing a smooth functionality and a longer life time of the valve.



Triple seal at the operating stem to ensure tightness with the test of time (2500 cycles).



New male composite sliding skate technology ensuring a low operating torque even under high differential pressure and preventing damage or corrosion generated by the friction.

RELATED PRODUCTS



APPLICATION SCENARIO



Industrial water application



Power plant



Sea water desalination



Water treatment



Water supply and drainage



HAVC



Food and drug



Water transport



COMPANY FACTORY



COMPANY INFORMATION



i

divanced Advanced CNC

related

us

inude GB TUV CE ISO 9001 ADWO-2000 TS PED WRC WRA KTW API 6D API609

VI / /

01

21 years of professional experience

03

Independent research and development team
28 top senior professional researchers

05

100% high level ex-factory inspection

07

2 years quality assurance, repair and replacement

4 factories

02

2 professional testing centers

04

High quality imported materials

06

COMPANY QUALIFICATION



