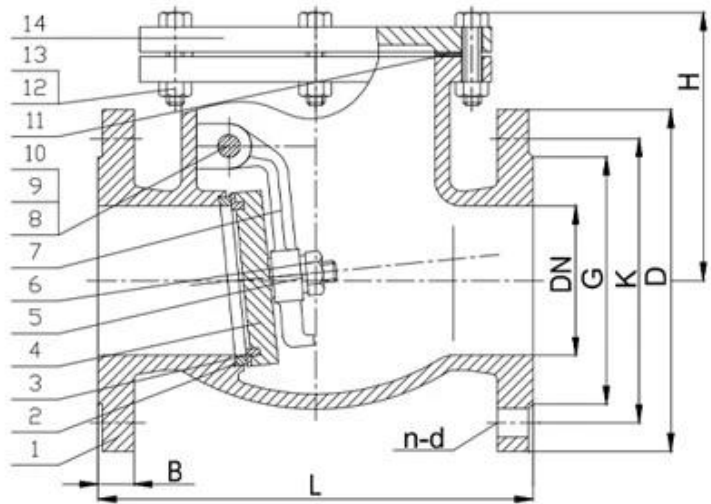
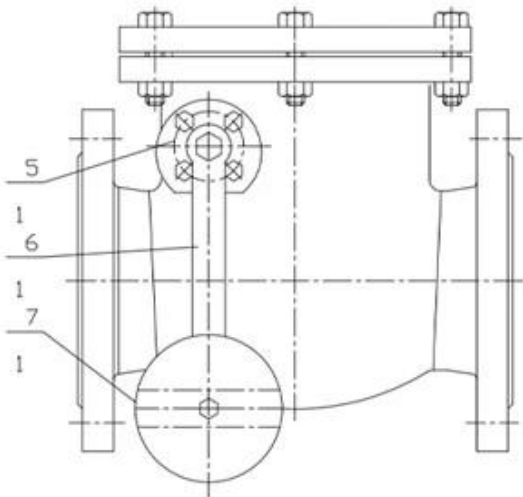


1. 产品名称: 球阀 (Ball Valve)
 2. 产品规格: 符合 AWWA C515, ASME B16.1/16.42, BS5153, EN12266 标准。
 3. 适用温度: 0-80°C
 4. 适用压力: 11/18bar / 15/24Bar
 5. 公称压力: 10/16Bar
 6. 公称口径: DN40-DN400

7. 适用范围: 适用于水、海水、油、气等介质的管道系统。
 8. 产品特点: 密封可靠, 启闭迅速, 结构简单, 维护方便。

材料	AWWA C515
标准	ASME B16.1/16.42
材料	BS5153
标准	EN12266
温度	0-80°C
压力	11/18bar
压力	15/24Bar
pn	10/16Bar
dn	DN40-DN400



APPLICATION SCENARIO



Industrial water application



Power plant



Sea water desalination



Water treatment



Water supply and drainage



HAVC



Food and drug



Water transport



COMPANY INFORMATION



Advanced CNC Machining Center

Professional Process Cells

China

certification

complies with GB, American Standard, Tuv CE, ISO 9001, ADWO-2000, TS, PED, WRC WRA, KTW, API 6D, API 609

VI



COMPANY EXHIBITION



COMPANY QUALIFICATION



Partners



