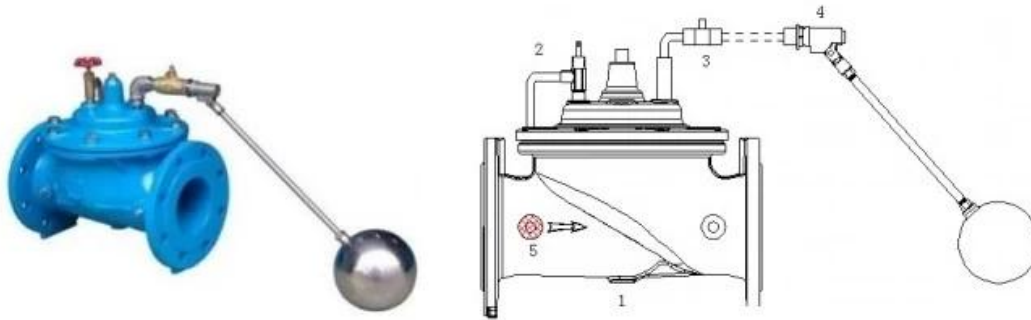
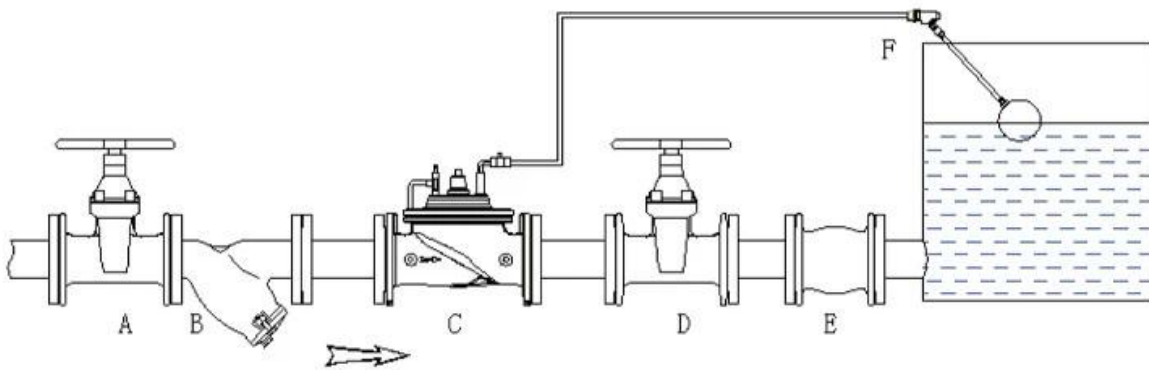


1. 2. 3. 4. 5.



1. 2. 3. 4. 5.



A. B. Y C. D. E. F.

1.

1.

2. EN-GJS-500-7

3. CF8/SUS304

4. EPDM

5. WRAS

6. PN10/16/25

DN	L	H	H1	DN	L	H	H1
40	230	139	85	250	730	476	205
50	230	139	85	300	850	526	232

COMPANY FACTORY



01

21 years of professional experience

03

Independent research and development team
28 top senior professional researchers

05

100% high level ex-factory inspection

07

2 years quality assurance, repair and replacement

4 factories

02

2 professional testing centers

04

High quality imported materials

06

COMPANY QUALIFICATION



COMPANY EXHIBITION



Partners



