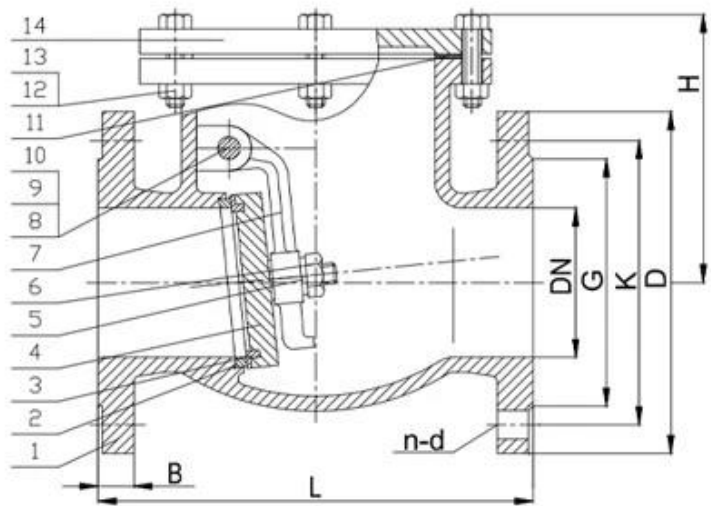
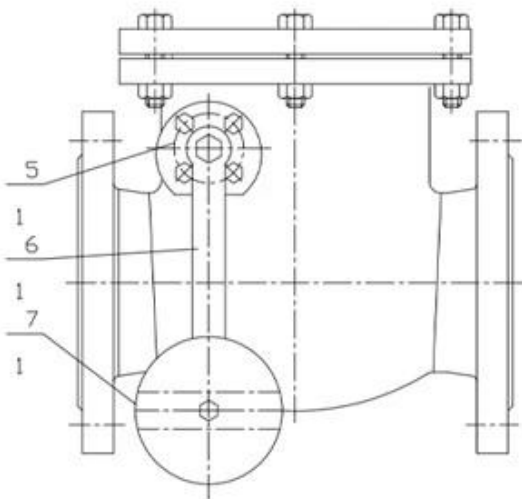


AWWA C515 ASME B16.1/16.42 BS5153 EN12266 0-80°C 11/18bar 15/24Bar 10/16Bar DN40-DN400

AWWA C515 ASME B16.1/16.42 BS5153 EN12266 0-80°C 11/18bar 15/24Bar 10/16Bar DN40-DN400

AWWA C515	AWWA C515
ASME B16.1/16.42	ASME B16.1/16.42
BS5153	BS5153
EN12266	EN12266
0-80°C	0-80°C
11/18bar	11/18bar
15/24Bar	15/24Bar
pn	10/16Bar
dn	DN40-DN400



# APPLICATION SCENARIO



Industrial water application



Power plant



Sea water desalination



Water treatment



Water supply and drainage



HAVC



Food and drug



Water transport



# COMPANY INFORMATION



Advanced CNC Machining Center

Professional Process Cells

China

certification

GB American Standard Tuv CE ISO 9001 ADWO-2000 TS PED WRC WRA KTW API 6D API609

VI



## COMPANY EXHIBITION



# COMPANY QUALIFICATION



## Partners



