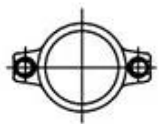
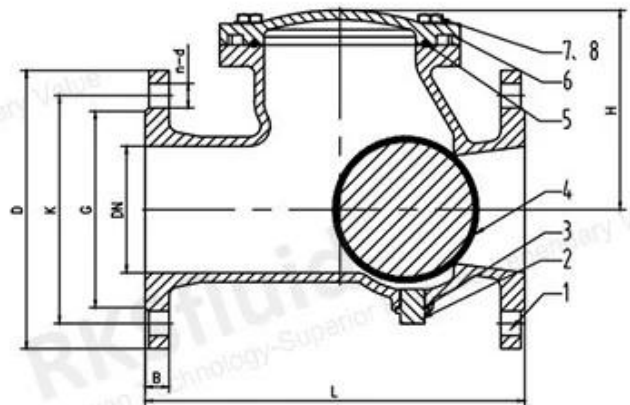
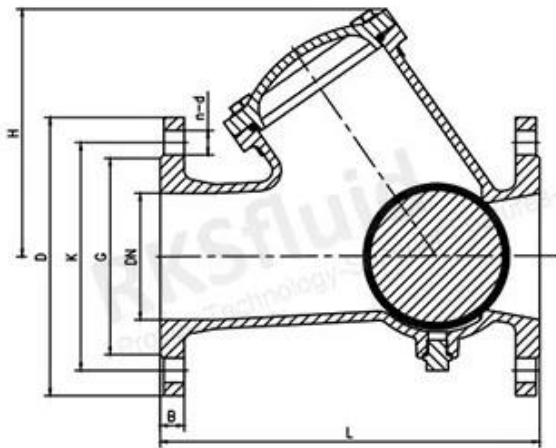
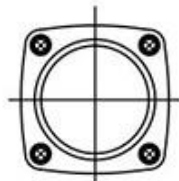


1
 RKSfluid

Model	JPRM1171
Model	JPRM1092-2
Standard	DIN 12266-1
Material	Stainless Steel
Material	Aluminum
Temperature	0-80°C
Pressure	11/18 bar
Pressure	15/24 bar
Pressure	PN10/16
Size	DN40-DN500
Weight	Lightweight



DN40-DN65



DN80-DN150

DN200-DN500

COMPANY FACTORY



SHIPPING PACKAGING



01

21 years of professional experience

03

Independent research and development team
28 top senior professional researchers

05

100% high level ex-factory inspection

07

2 years quality assurance, repair and replacement

4 factories

02

2 professional testing centers

04

High quality imported materials

06

COMPANY QUALIFICATION



COMPANY EXHIBITION



Partners



