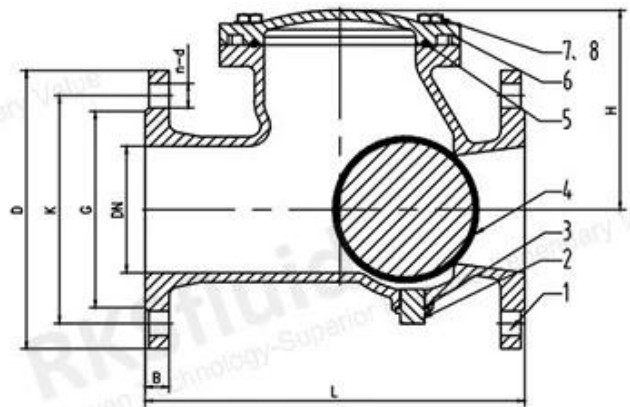
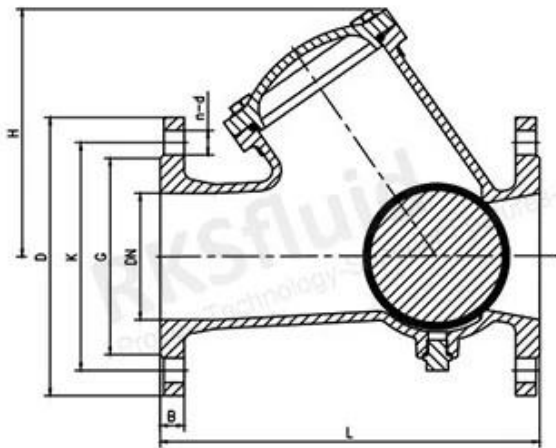
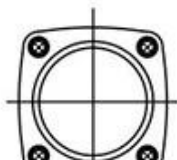


1
 RKSfluid

Model	JPRM1171
Model	JPRM1092-2
Standard	DIN 12266-1
Material	Stainless Steel
Material	Aluminum
Temperature	0-80°C
Pressure	11/18 bar
Pressure	15/24 bar
Pressure	PN10/16
Size	DN40-DN500
Weight	Lightweight



DN40-DN65



DN80-DN150

DN200-DN500

COMPANY INFORMATION



I 公司位于中国江苏省无锡市

II 公司 CNC 加工中心 拥有先进的数控设备 能够满足各种复杂零件的加工需求

III 公司拥有完善的质量管理体系 确保产品质量稳定可靠

IV 公司拥有专业的研发团队 能够提供定制化的产品和服务

V 公司拥有 GB 质量管理体系认证 TUV CE ISO 9001 ADWO-2000 TS PED WRC WRAS KTW API 6D API 609

VI 公司拥有完善的生产设备 能够满足大批量生产的需求

COMPANY FACTORY



SHIPPING PACKAGING



01

21 years of professional experience

03

Independent research and development team
28 top senior professional researchers

05

100% high level ex-factory inspection

07

2 years quality assurance, repair and replacement

4 factories

02

2 professional testing centers

04

High quality imported materials

06

COMPANY QUALIFICATION



COMPANY EXHIBITION



Partners



