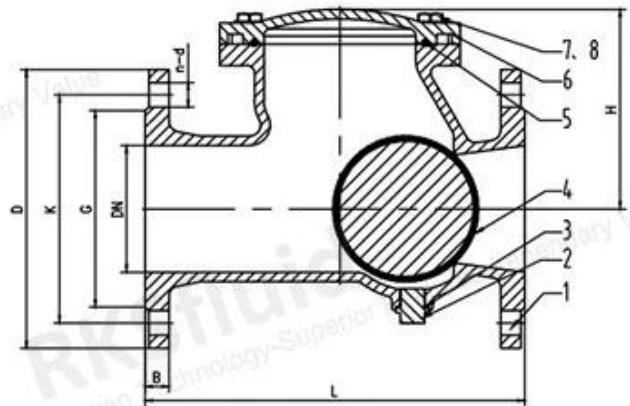
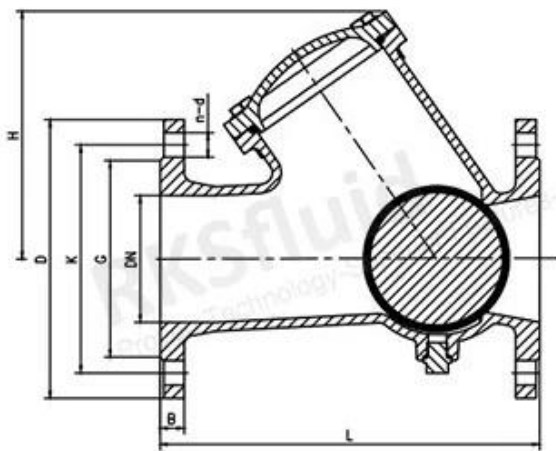
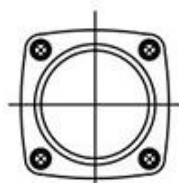


RKSfluid

| | |
|----------|-------------|
| Material | EN 1171 |
| Material | EN 1092-2 |
| Standard | DIN 12266-1 |
| Series | ... |
| Material | ... |
| Temp | 0-80°C |
| Pressure | 11/18bar |
| Pressure | 15/24Bar |
| Pressure | pn10/16 |
| Size | DN40-DN500 |
| ... | ... |



DN40-DN65



DN80-DN150

DN200-DN500

COMPANY INFORMATION



Advanced CNC Machining Center

Advanced CNC Machining Center Professional Process Cells

China

Cention

GB American Standard Tuv CE ISO 9001 ADWO-2000 TS PED WRC WRA KTW API 6D API609

VI

COMPANY FACTORY



SHIPPING PACKAGING



COMPANY QUALIFICATION



COMPANY EXHIBITION



Partners



