

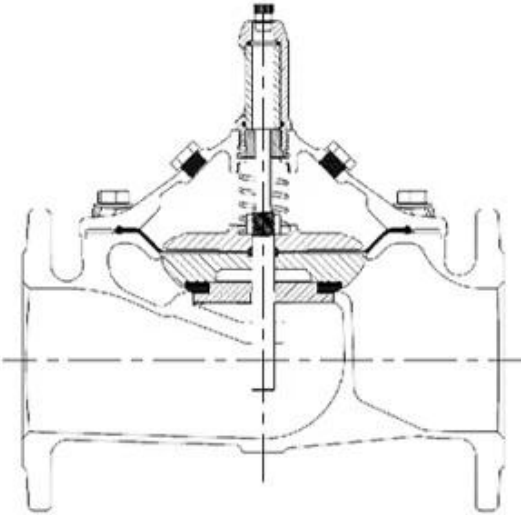
# DESIGN FEATURES

## FEATURES

- 1. Fully Bore with seat diameter as DN+2 mm
- 2. Stable working even if the flow close to Zero
- 3. High performance and strength Nylon enforce diaphragm
- 4. One Million cycle test and 64 bar burst test

## MAIN VALVE MATERIAL OPTION

- Ductile iron (DI): DN40-1200
- SUS304 (S3) or SUS316 (S6) or Duplex (SD) or Carbon Steel (CS) or Bronze (BR): DN40-400
- Aluminum (AL): DN40-200



□□

□□□□□□□□□□□□□□□□□□□□□□□□□□□□□□□□

□□□□□□□□□□□□□□□□

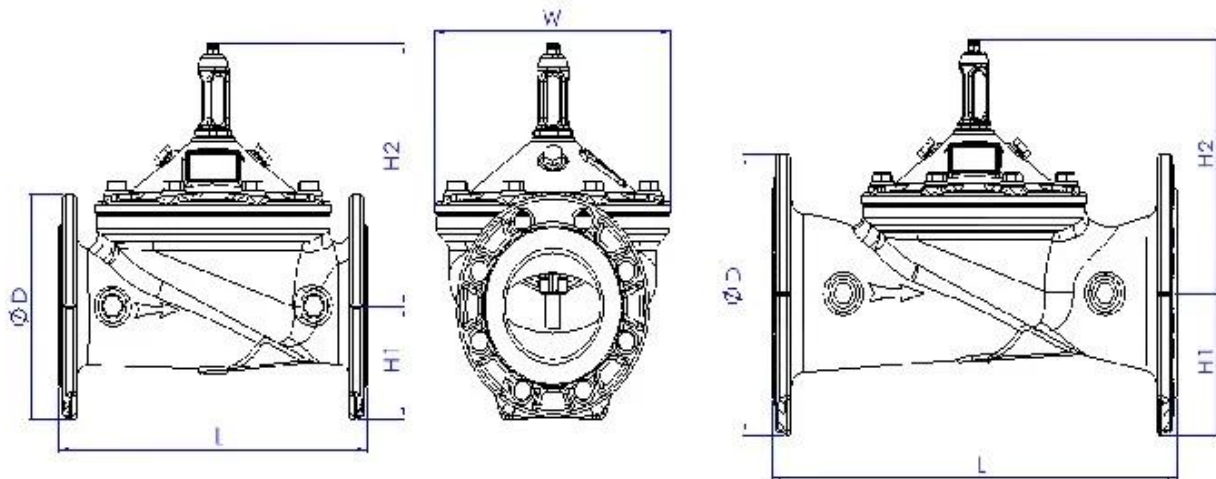
□□□□□□□□□□□□□□

- 1000000□□□□□□□□□□□□□□□□□□□□

- 5□□□□□□□□□□

CNC  
 GSK WIS  
 0.5  
 1.1xpn + 1  
 1.5xpn + 1  
 +/- 0.2  
 1000  
 WRAS / KTW / NSF / FDA / ACS

Size	DN40-DN1200
Working Medium	Water
Temperature	0°C~70°C
Material	Ductile Iron/Stainless Steel/Cast Steel/Bronze/Aluminum Alloy
Design Standards	CJ/T 219 & JB/T 10674 & EN 1074-5
Pressure Level	PN10, PN16, PN25
Stress Test Standard	GB/T 13927 & ISO 5208 & EN12266-1
Flange drilling standard	GB17241.6; EN1092-2; ISO7005-2; ANSI / JIS / AS2129
Structure Length	GB 12221 & EN558-1







© 2018 RKS Fluid

✓ 100% CNC 加工 精度 0.01mm

✓ 材料 304 316 316L 321 430 431 432 438 439 444 446 447 448 449 450 451 452 453 454 455 456 457 458 459 460 461 462 463 464 465 466 467 468 469 470 471 472 473 474 475 476 477 478 479 480 481 482 483 484 485 486 487 488 489 490 491 492 493 494 495 496 497 498 499 500

✓ 表面处理 喷砂 喷丸 抛光 钝化 阳极氧化 电泳 电镀

✓ 符合 GB 150 151 152 153 154 155 156 157 158 159 160 161 162 163 164 165 166 167 168 169 170 171 172 173 174 175 176 177 178 179 180 181 182 183 184 185 186 187 188 189 190 191 192 193 194 195 196 197 198 199 200 TUV CE ISO 9001 ADWO-2000 TS PED WRC WRAS KTW API 6D API 609

VI 设计 符合 ASME 8 1 2 3 4 5 6 7 8 9 10 11 12 13 14 15 16 17 18 19 20 21 22 23 24 25 26 27 28 29 30 31 32 33 34 35 36 37 38 39 40 41 42 43 44 45 46 47 48 49 50 51 52 53 54 55 56 57 58 59 60 61 62 63 64 65 66 67 68 69 70 71 72 73 74 75 76 77 78 79 80 81 82 83 84 85 86 87 88 89 90 91 92 93 94 95 96 97 98 99 100





## Exhibition Photos







DIN ASME BS EN JIS API AWWA

Q

A RK fluid 20 70