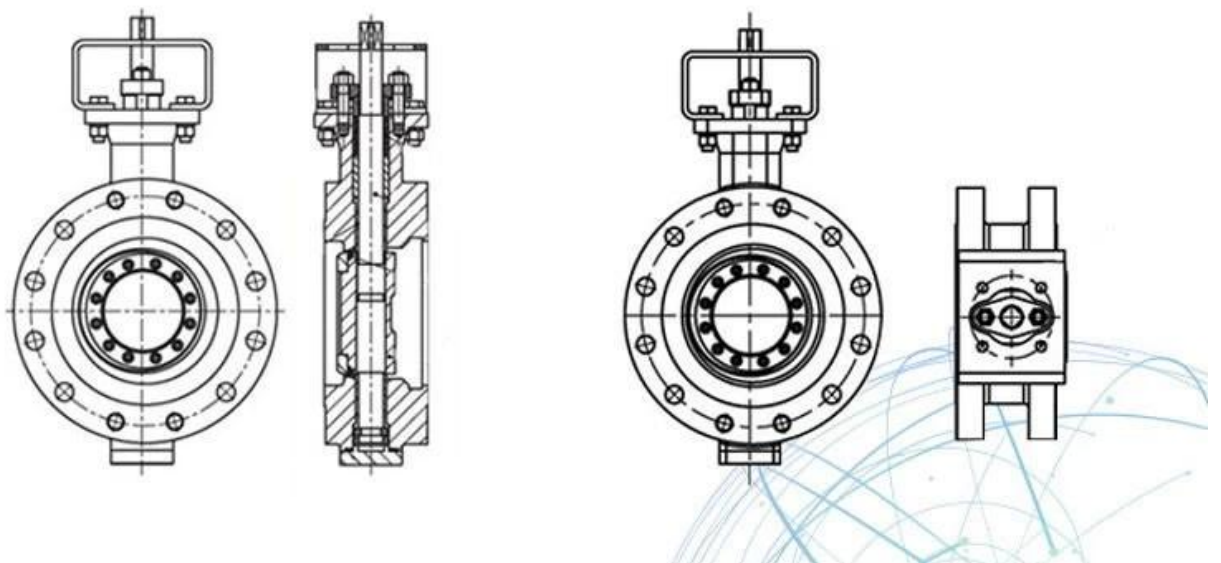


DESIGN FEATURES



APPLICATION SCENARIO



Industrial water application



Power plant



Petroleum



Nuclear plant



Hydroelectric power



Marine operation



Healing drugs



Refined coal



Our Factory



Company Advantages



Advanced CNC

related

us

include GB TUV CE ISO 9001 ADWO-2000 TS PED WRC WRA KTW API 6D API609

Exhibition Photos



Our Certificates



Q
A

Q
A hydraulic RKSfluid USA

Q
A RKSfluid 4

Q
A 2 5

Q Moq
A 1PC

Q
A 100 2
TUV API WRA CE ISO
din asme bs en jis api awwa

Q
A RKSfluid 20 70 R D