

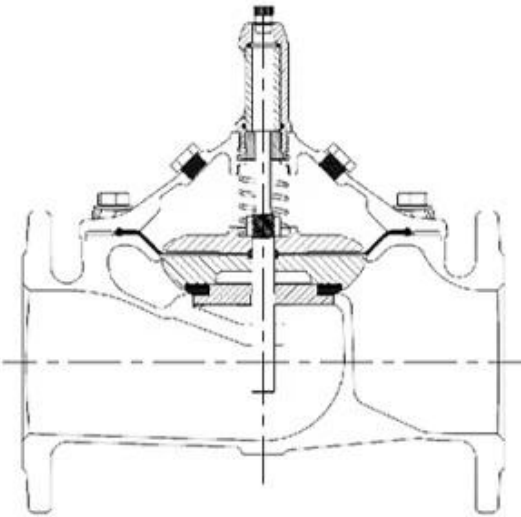
# DESIGN FEATURES

## FEATURES

1. Fully Bore with seat diameter as DN+2 mm
2. Stable working even if the flow close to Zero
3. High performance and strength Nylon enforce diaphragm
4. One Million cycle test and 64 bar burst test

## MAIN VALVE MATERIAL OPTION

- Ductile iron (DI): DN40-1200
- SUS304 (S3) or SUS316 (S6) or Duplex (SD) or Carbon Steel (CS) or Bronze (BR): DN40-400
- Aluminum (AL): DN40-200



□□

□□□□□□□□□□□□□□□□□□□□□□□□□□□□□□  
 □□□□□□□□□□□□□□□□□□□□□□□□□□□□□□  
 □□□□□□□□□□□□□□□□□□□□□□□□□□□□□□  
 -1000000□□□□□□□□□□□□□□□□□□□□□□□□□□□□  
 -5□□□□□□□□□□□□

全系列产品均CNC精密加工

全系列产品均符合GSK/WIS标准

全系列产品

- 公差精度0.5mm

±1.1xpn+1mm

- 公差精度1.5xpn+1mm

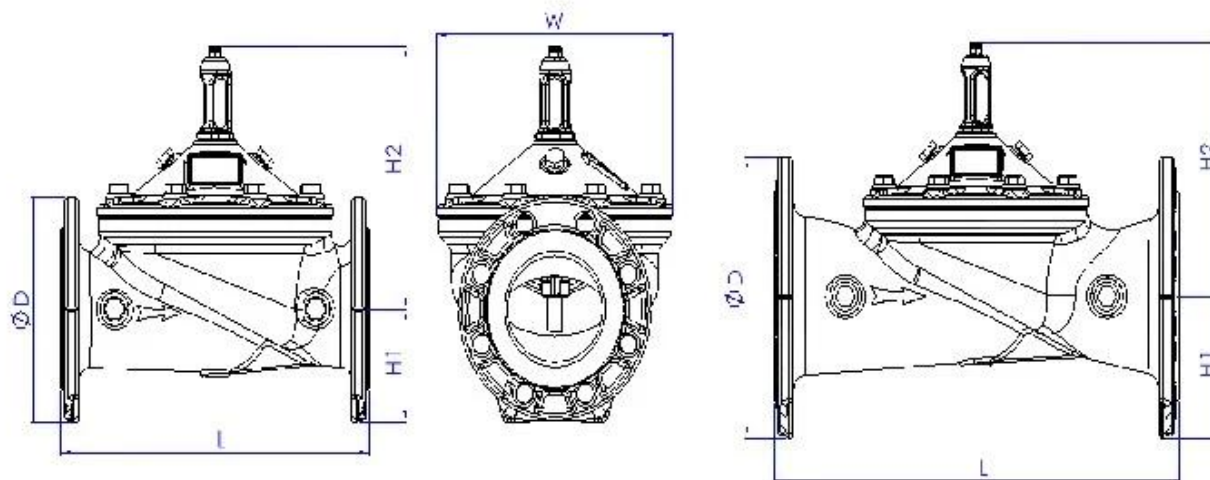
- 公差精度+/- 0.2mm

流量1000L/min

全系列产品均符合

全系列产品均符合WRAS/KTW/NSF/FDA/ACS标准

Size	DN40-DN1200
Working Medium	Water
Temperature	0°C~70°C
Material	Ductile Iron/Stainless Steel/Cast Steel/Bronze/Aluminum Alloy
Design Standards	CJ/T 219 & JB/T 10674 & EN 1074-5
Pressure Level	PN10, PN16, PN25
Stress Test Standard	GB/T 13927 & ISO 5208 & EN12266-1
Flange drilling standard	GB17241.6; EN1092-2; ISO7005-2; ANSI / JIS / AS2129
Structure Length	GB 12221 & EN558-1







i

divanced Advanced CNC

relaved

us

inude GB TUV CE ISO 9001 ADWO-2000 TS PED WRC WRA KTW API 6D API609

VI / /





## Exhibition Photos







