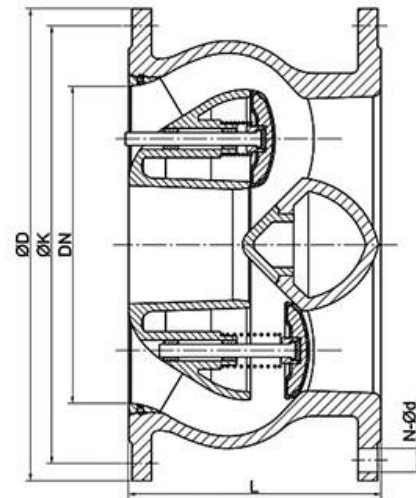


DESIGN FEATURES

Features

1. Streamlined: minimum noise
2. Anti-static design
3. Double Block & Bleed
4. Automatic Self-Venting Seats
5. Emergency Protection



APPLICATION SCENARIO



Industrial water application



Power plant



Sea water desalination



Water treatment



Water supply and drainage



HAVC



Food and drug



Water transport



COMPANY INFORMATION



Advanced CNC

Advanced CNC

related

us

include GB TUV CE ISO 9001 ADWO-2000 TS PED WRC WRA KTW API 6D API609

VI / /

01

21 years of professional experience

03

Independent research and development team
28 top senior professional researchers

05

100% high level ex-factory inspection

07

2 years quality assurance, repair and replacement

4 factories

02

2 professional testing centers

04

High quality imported materials

06

COMPANY QUALIFICATION



COMPANY EXHIBITION



Q.....
A.....

Q.....
A.....hrdraulic..... RKSfluid.....USA.....

Q.....
ARKSfluid.....4.....

Q.....
A.....25.....

Q **Moq**
A.....1PC

Q.....
A.....100.....2.....
TUV API WRA CE ISO
din asme bs en jis api awwa.....

Q.....
ARKSfluid.....20.....70.....R D.....