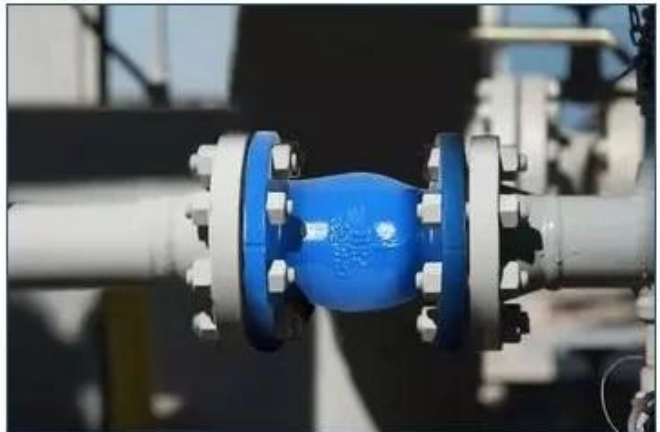
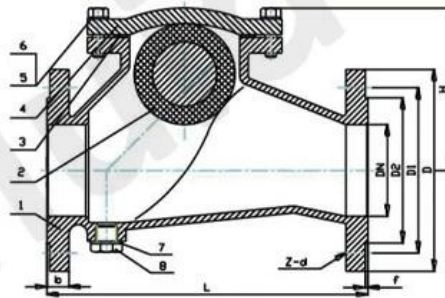




- Streamlined, minimum noise
- Backflow velocity only 0.2s, Head loss 0.1bar with 2m/s
- EPDM/NBR Rubber fully coated disc
- Anti-erosion design, Self-adjusting ball
- Self-cleaning stem, Long time smooth operation

## Engineering Projects



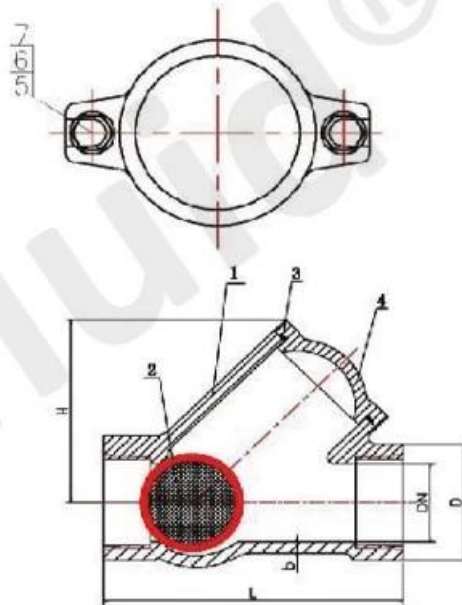


Ball Check Valve, Flange

ITEM	PART NAME	MATERIAL
1	Body	Ductile iron
2	Ball	NBR
3	Gasket	NBR
4	Body	Ductile iron
5	Bolt	SS304
6	Washer	SS304
7	Washer	Nylon
8	Plug	SS304

SIZE	DIN 3202 F6	Flange dimension(EN 1092-2) PN10/PN16		
DN	L	D	K	n-d
DN40/1.5"	180	150	110	4- $\phi$ 19
DN50/2"	200	165	125	4- $\phi$ 19
DN65/2.5"	240	185	145	4- $\phi$ 19
DN80/3"	260	200	160	8- $\phi$ 19
DN100/4"	300	220	180	8- $\phi$ 19
DN125/5"	350	250	210	8- $\phi$ 19
DN150/6"	400	285	240	8- $\phi$ 23
DN200/8"	500	340	295/295	8- $\phi$ 23/12- $\phi$ 23
DN250/10"	600	405	350/355	12- $\phi$ 23/12- $\phi$ 28
DN300/12"	700	460	400/410	12- $\phi$ 23/12- $\phi$ 28
DN400/16"	900	580	515/525	16- $\phi$ 28/16- $\phi$ 31
DNS00/20"	1100	715	620/650	20- $\phi$ 28/20- $\phi$ 34

## Product Display



**Ball Check Valve, Threaded**

ITEM	PART NAME	MATERIAL
1	Body	Ductile iron
2	Ball	NBR
3	O-Ring	NBR
4	Cover	Ductile iron
5	Gasket	SS304

SIZE	DIN 3202 F6	Flange dimension(EN 1092-2) PN10/PN16		
DN	L	D	H	B
DN25	135	50	75	6
DN32	135	50	75	6
DN40	145	60	93	6
DN50	175	72	106	7
DN65	200	90	131	7



divanced Advanced CNC

related

us

inude GB TUV CE ISO 9001 ADWO-2000 TS PED WRC WRA KTW API 6D API609

VI / /

### Exhibition Photos





A RKSfluid 20 70 R D