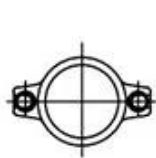
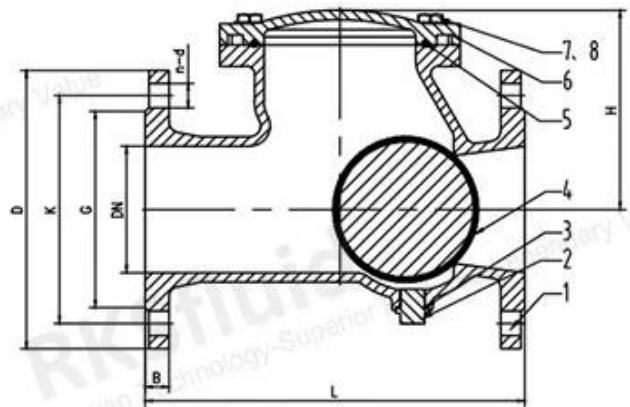
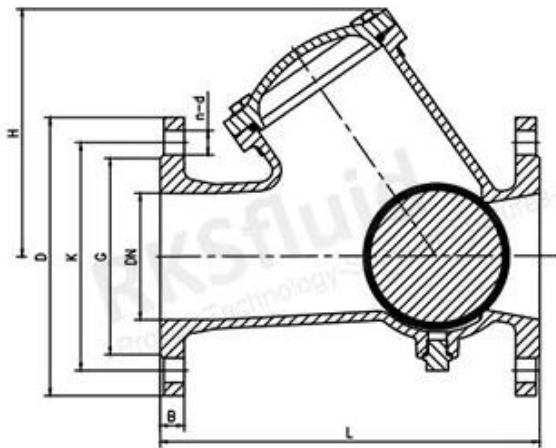
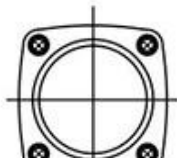


1
 RKSfluid

Model	JPRM1171
Model	JPRM1092-2
Standard	DIN 12266-1
Material	Stainless Steel
Material	Aluminum
Temperature	0-80°C
Pressure	11/18 bar
Pressure	15/24 bar
Pressure	PN10/16
Size	DN40-DN500
Weight	Lightweight



DN40-DN65



DN80-DN150

DN200-DN500

COMPANY INFORMATION



I 工廠總面積約 100,000 平方公尺

II 工廠 CNC 機台 100 餘台，具備完整之機台設備及專業之技術人員

III 工廠設有品質管理部門，負責品質管理與改善

IV 工廠設有研發部門，負責產品研發與改善

V 工廠取得 GB 認證，並通過 TUV CE、ISO 9001、ADWO-2000、TS、PED、WRC WRAS、KTW、API 6D、API609 認證

VI 工廠設有安全部門，負責安全管理與改善

COMPANY FACTORY



SHIPPING PACKAGING



01

21 years of professional experience

03

Independent research and development team
28 top senior professional researchers

05

100% high level ex-factory inspection

07

2 years quality assurance, repair and replacement

4 factories

02

2 professional testing centers

04

High quality imported materials

06

COMPANY QUALIFICATION



COMPANY EXHIBITION



Partners



