

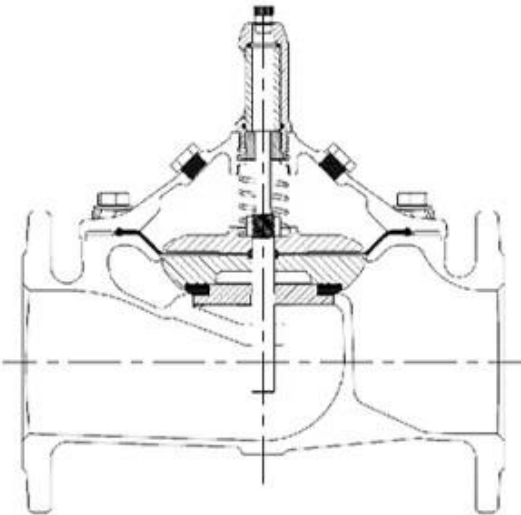
DESIGN FEATURES

FEATURES

1. Fully Bore with seat diameter as DN+2 mm
2. Stable working even if the flow close to Zero
3. High performance and strength Nylon enforce diaphragm
4. One Million cycle test and 64 bar burst test

MAIN VALVE MATERIAL OPTION

- Ductile iron (DI): DN40-1200
- SUS304 (S3) or SUS316 (S6) or Duplex (SD) or Carbon Steel (CS) or Bronze (BR): DN40-400
- Aluminum (AL): DN40-200



□□

□□□□□□□□□□□□□□□□□□□□□□□□□□□□□□□□
 □□□□□□□□□□□□□□□□□□□□□□□□□□□□□□□□
 □□□□□□□□□□□□□□□□□□□□□□□□□□□□□□□□
 -1000000□□□□□□□□□□□□□□□□□□□□□□□□□□□□□□□□
 -5□□□□□□□□□□□□□□□□□□□□□□□□□□□□□□□□

完全CNC加工

完全GSK/WIS加工

加工

- 精度0.5mm

1.1xpn+1mm

- 精度1.5xpn+1mm

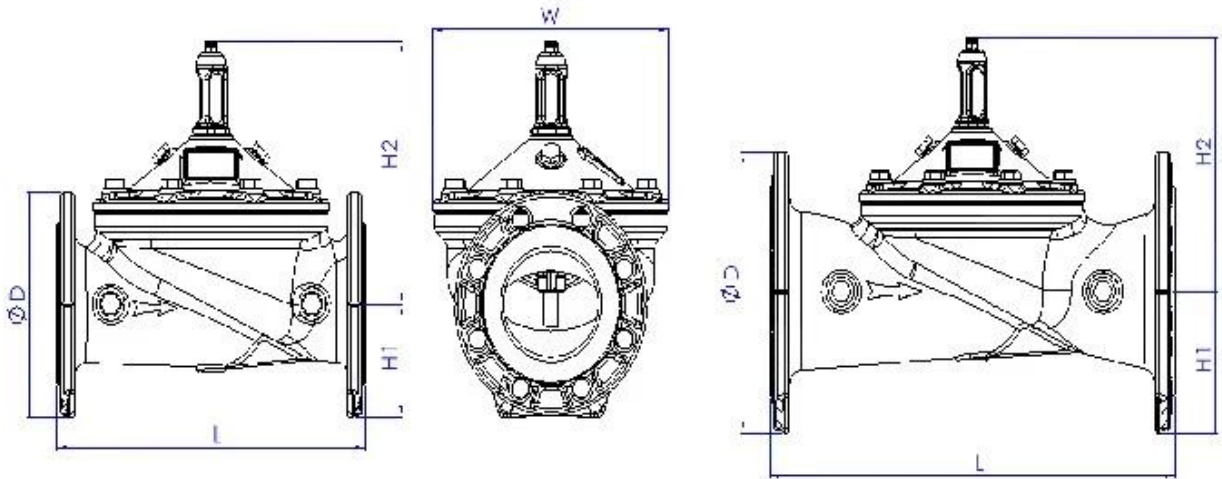
- 精度+/- 0.2mm

1000mm/完全加工

加工

完全WRAS/KTW/NSF/FDA/ACS加工

Size	DN40-DN1200
Working Medium	Water
Temperature	0°C~70°C
Material	Ductile Iron/Stainless Steel/Cast Steel/Bronze/Aluminum Alloy
Design Standards	CJ/T 219 & JB/T 10674 & EN 1074-5
Pressure Level	PN10, PN16, PN25
Stress Test Standard	GB/T 13927 & ISO 5208 & EN12266-1
Flange drilling standard	GB17241.6; EN1092-2; ISO7005-2; ANSI / JIS / AS2129
Structure Length	GB 12221 & EN558-1





i

divanced Advanced CNC

relaved

us

inude GB TUV CE ISO 9001 ADWO-2000 TS PED WRC WRA KTW API 6D API609

VI / /



Exhibition Photos



