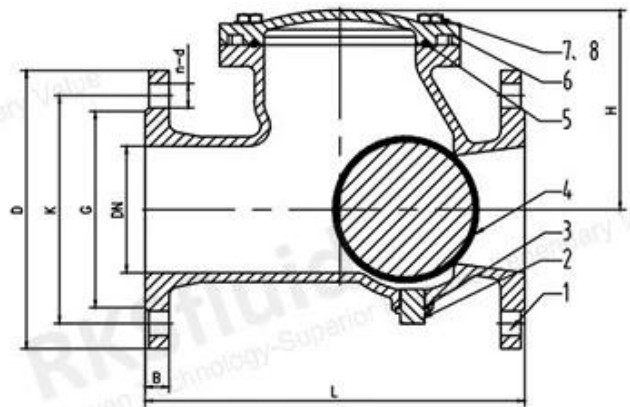
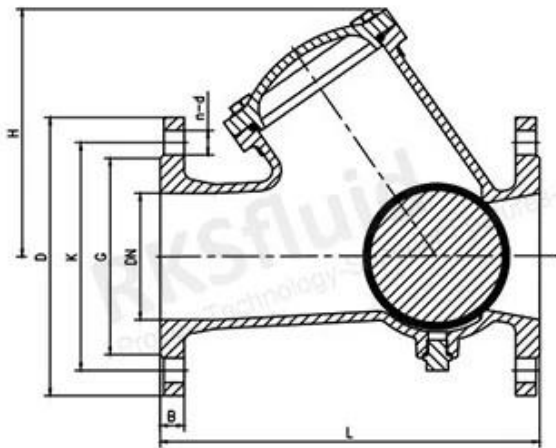
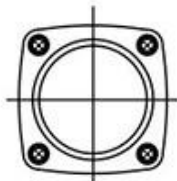


1
 RKSfluid

Model	JPRM1171
Model	JPRM1092-2
Standard	DIN 12266-1
Material	Stainless Steel
Pressure	PN
Temperature	0-80°C
Connection	11/18
Connection	15/24
Pressure	PN10/16
Size	DN40-DN500
Weight	Lightweight



DN40-DN65



DN80-DN150

DN200-DN500

COMPANY INFORMATION



I 廠房及設備

II 數控 CNC 機床 磨床及鑽床 銑床及刨床 車床及銑床 鉗工及鍛工

III 鑄造及鍛造

IV 機械及電機

V 認證 GB 認證 英國 TUV CE 認證 ISO 9001 認證 ADWO-2000 認證 TS 認證 PED 認證 WRC WRAS 認證 KTW 認證 API 6D 認證 API609 認證

VI 專業技術人員及工程師

COMPANY FACTORY



SHIPPING PACKAGING



01

21 years of professional experience

03

Independent research and development team
28 top senior professional researchers

05

100% high level ex-factory inspection

07

2 years quality assurance, repair and replacement

4 factories

02

2 professional testing centers

04

High quality imported materials

06

COMPANY QUALIFICATION



COMPANY EXHIBITION



Partners



