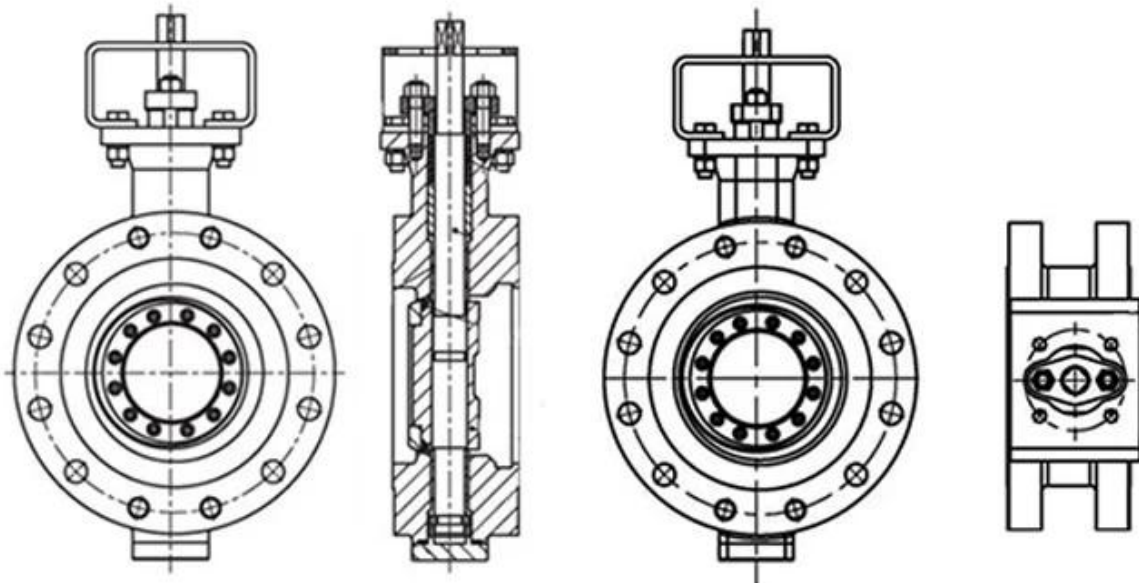


## DESIGN FEATURES



- 1.Elastic stainless steel sealing ring,"0"leakage
- 2.Fireproof structural design,blow-out proof stems
- 3.Auto welding plasma powder surfacing valve seat
- 4.Hollow design, reduces flow resistance
- 5.Interchangeable DSS entity seal / multiple-piece
- 6.stainless and graphite seal
- 7.ISO5211 Mounting platform,simple connection



# APPLICATION SCENARIO



Industrial water application



Power plant



Sea water desalination



Water treatment



Water supply and drainage



HAVC



Food and drug



Water transport



# COMPANY INFORMATION



Advanced CNC

Advanced CNC

related

us

include GB, TUV CE, ISO 9001, ADWO-2000, TS, PED, WRC, WRA, KTW, API 6D, API609

VI

# COMPANY QUALIFICATION



