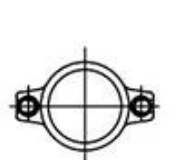
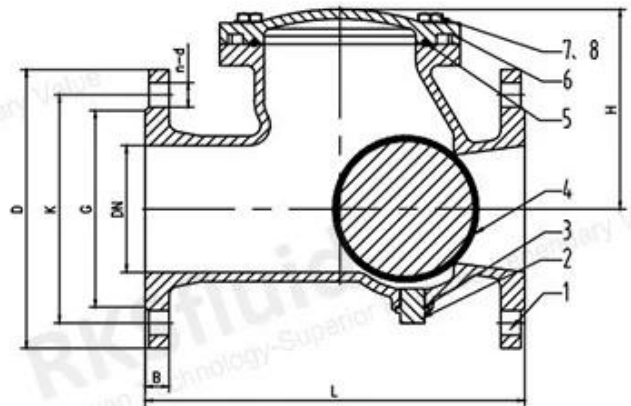
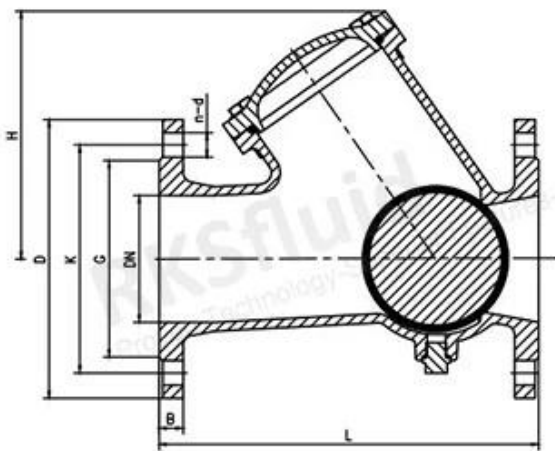
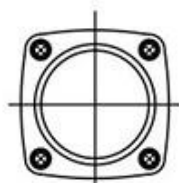


RKSfluid

Material	EN 1171
Material	EN 1092-2
Standard	DIN 12266-1
Seal	Graphite
Material	Stainless Steel
Temperature	0-80°C
Pressure	11/18bar
Pressure	15/24Bar
Pressure	pn10/16
Size	DN40-DN500
Weight	Light



DN40-DN65



DN80-DN150

DN200-DN500

COMPANY INFORMATION



Advanced CNC Machining Center

Advanced CNC Machining Center Professional Process Cells

China

Cention

GB American Standard Tuv CE ISO 9001 ADWO-2000 TS PED WRC WRA KTW API 6D API609

VI

COMPANY FACTORY



SHIPPING PACKAGING



COMPANY QUALIFICATION



COMPANY EXHIBITION



Partners



