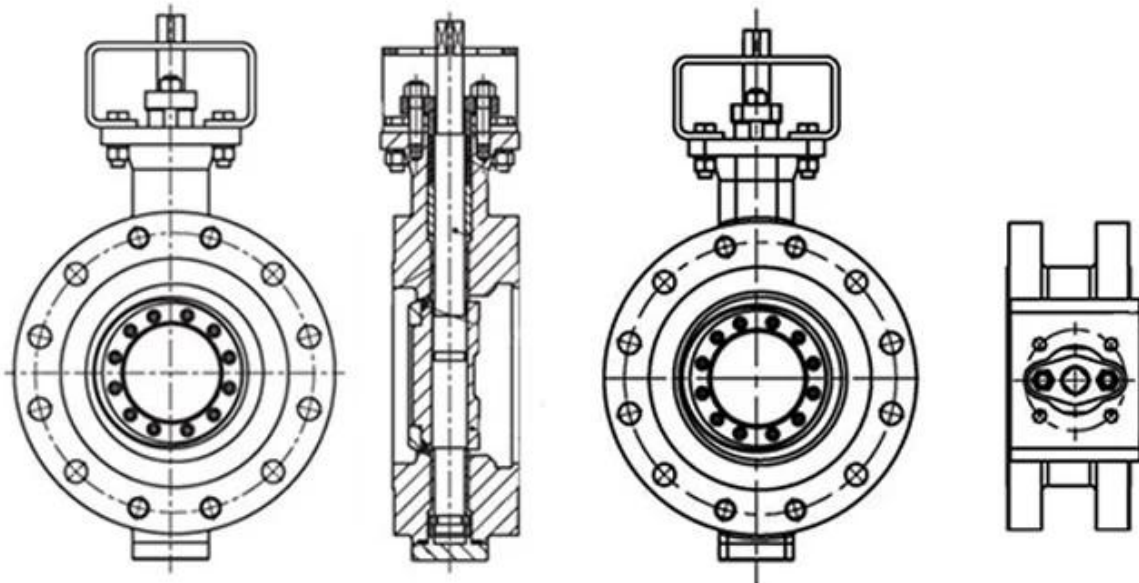


## DESIGN FEATURES



- 1.Elastic stainless steel sealing ring,"0"leakage
- 2.Fireproof structural design,blow-out proof stems
- 3.Auto welding plasma powder surfacing valve seat
- 4.Hollow design, reduces flow resistance
- 5.Interchangeable DSS entity seal / multiple-piece
- 6.stainless and graphite seal
- 7.ISO5211 Mounting platform,simple connection



# APPLICATION SCENARIO



Industrial water application



Power plant



Sea water desalination



Water treatment



Water supply and drainage



HAVC



Food and drug



Water transport



# COMPANY INFORMATION



I 公司位于中国浙江省宁波市

II 公司拥有 CNC 加工中心 数控车床 数控铣床 数控刨床 数控磨床 数控钻床 数控折弯机 数控冲床 数控剪床 数控折弯机 数控折弯机

III 公司拥有专业的研发团队

IV 公司拥有完善的质量管理体系

V 公司拥有 GB 质量管理体系 TUV CE ISO 9001 ADWO-2000 TS PED WRC WRAS KTW API 6D API 609

VI 公司拥有完善的生产设备



01

21 years of professional experience

03

Independent research and development team  
28 top senior professional researchers

05

100% high level ex-factory inspection

07

2 years quality assurance, repair and replacement

4 factories

02

2 professional testing centers

04

High quality imported materials

06

# COMPANY QUALIFICATION



## COMPANY EXHIBITION



## Partners





