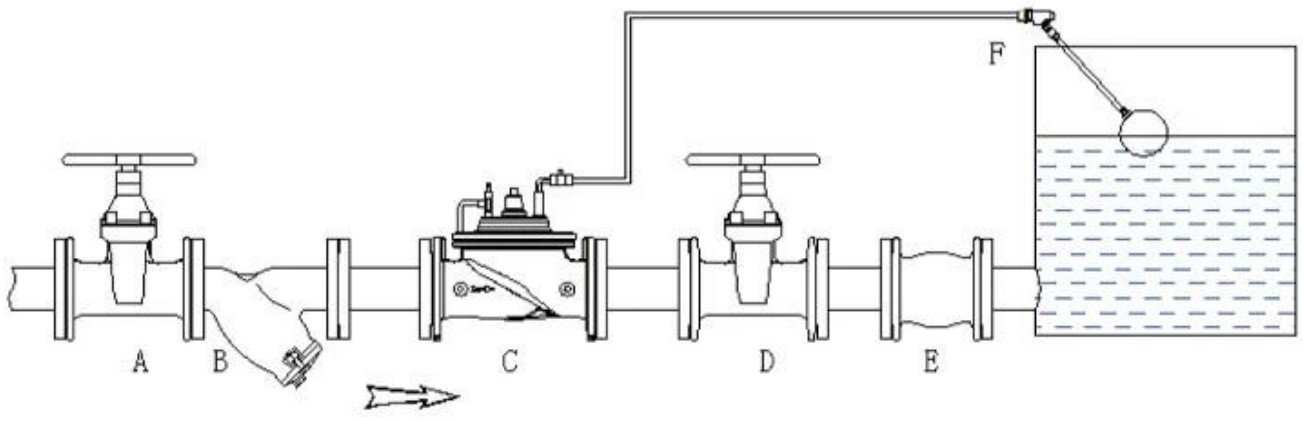
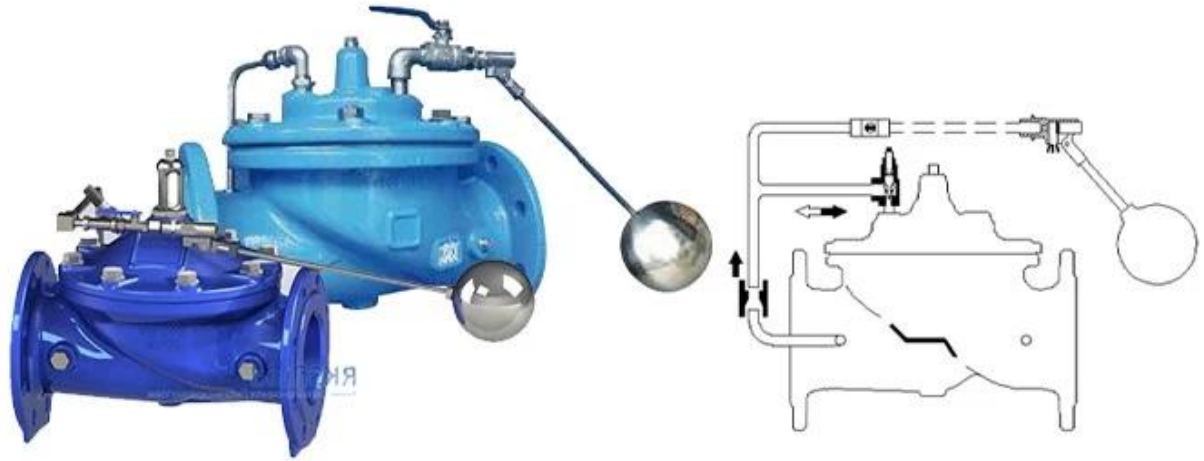


□□□□□□□□□□□□□□□□□□□□□□□□□□□□□□□□

□□□□□□□□□□□□□□□□□□□□□□□□□□□□□□□□

□□□□□□□□□□□□□□□□□□□□□□□□□□□□□□□□

□□□□□□□□□□□□□□□□□□□□□□□□□□□□□□□□



A. Shut off valve B. Y strainer C. Float control valve D. Shut off valve E. Soft joint F. Float pilot

□□□□□□□□□□

- □□□

-HVAC

- □□□□□□

- □□□□□

- □□□□□□□□□□□□□□

- □□□

- □□□

- □□/□□□□□□

□□□	DN40-DN1200
□□□□□□	□
□□	0 °C□70°C
□□	□□□/□□□□□□□□□□/□□□□□□□□□□/□□□□□/□□□□□□□□□□

dn	l	h	H1	dn	l	h	H1
40	230	139	85	250	730	476	205
50	230	139	85	300	850	526	232
65	290	159	95	350	980	585	262
80	310	179	102	400	1100	624	292
100	350	214	112	500	1250	720	360
125	400	278	127	600	1450	835	424
150	480	333	145	800	1850	1110	515
200	600	407	172	1000	2250	1350	630



COMPANY INFORMATION



i

divanced Advanced CNC

related

us

inude GB TUV CE ISO 9001 ADWO-2000 TS PED WRC WRA KTW API

6D API609

VI

COMPANY FACTORY



01

21 years of professional experience

03

Independent research and development team
28 top senior professional researchers

05

100% high level ex-factory inspection

07

2 years quality assurance, repair and replacement

4 factories

02

2 professional testing centers

04

High quality imported materials

06

COMPANY QUALIFICATION



COMPANY EXHIBITION



