

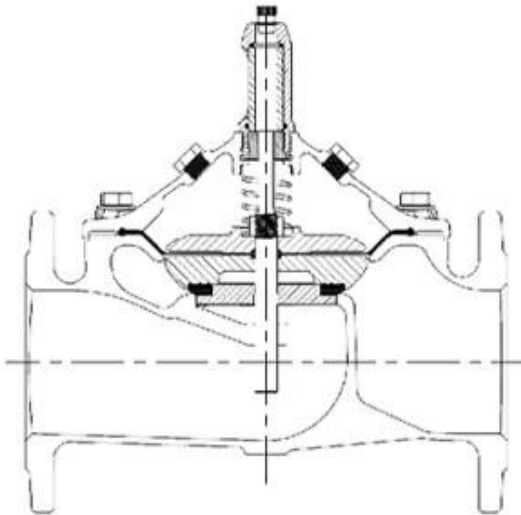
DESIGN FEATURES

FEATURES

- 1. Fully Bore with seat diameter as $DN+2 \text{ mm}$
- 2. Stable working even if the flow close to Zero
- 3. High performance and strength Nylon enforce diaphragm
- 4. One Million cycle test and 64 bar burst test

MAIN VALVE MATERIAL OPTION

- Ductile iron (DI): $DN40-1200$
- SUS304 (S3) or SUS316 (S6) or Duplex (SD) or Carbon Steel (CS) or Bronze (BR): $DN40-400$
- Aluminum (AL): $DN40-200$



□□

□□□□□□□□□□□□□□□□□□□□□□□□
□□□□□□□□□□□□□□□□□□□□
□□□□□□□□□□□□□□□□□□□□□□
-1000000□□□□□□□□□□□□□□□□□□□□
-5□□□□□□□□□□□□□□□□□□□□□□□□

CNC

GSK WIS

- 0.5

1.1xpn+1

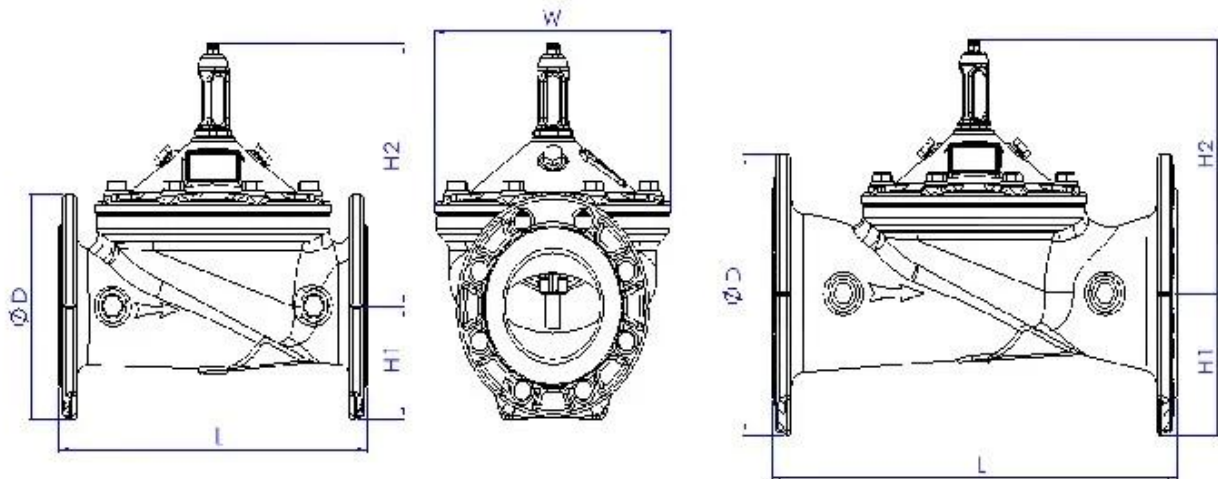
- 1.5xpn+1

- +/- 0.2

1000

WRAS/KTW/NSF/FDA/ACS

Size	DN40-DN1200
Working Medium	Water
Temperature	0°C~70°C
Material	Ductile Iron/Stainless Steel/Cast Steel/Bronze/Aluminum Alloy
Design Standards	CJ/T 219 & JB/T 10674 & EN 1074-5
Pressure Level	PN10, PN16, PN25
Stress Test Standard	GB/T 13927 & ISO 5208 & EN12266-1
Flange drilling standard	GB17241.6; EN1092-2; ISO7005-2; ANSI / JIS / AS2129
Structure Length	GB 12221 & EN558-1





i

divanced Advanced CNC

relaved

us

inude GB TUV CE ISO 9001 ADWO-2000 TS PED WRC WRA KTW API 6D API609

VI / /



Exhibition Photos



Our Certificates



□□□□□

Q□□□□□□□□□□□□□□□□□□□□□□□□
A□□□□□□□□□□□□□□□□□□□□□□□□□□

Q□□□□□□□□□□□□□□□□□□□□□□□□
A□□□□□□□hrdraulic□□□□□□□□□□ RKSfluid□□□□□□□USA□□□□□□□□□□□□□□□□□□□□□□□□□□

Q□□□□□□□□□□□□□□□□□□□□□□□□□□
A□RKSfluid□□□□□□□□□□□□□□□□□□□□□□□□□□

Q□□□□□□□□□□□□□□□□□□□□□□□□□□
A□□□□□□□□2□5□□□

Q□Moq
A□□□□□□□□1PC□

Q□□□□□□□□□□□□□□□□□□□□□□□□□□
A□□□□□100□□□□□□□□2□□
TUV□API□WRA□CE□ISO□□□
□□din□asme□bs en□jis□api□awwa□□□

Q 0000000000000000000000000000000000

A RKSfluid 20 70 RD 0000000000000000000000000000000000