

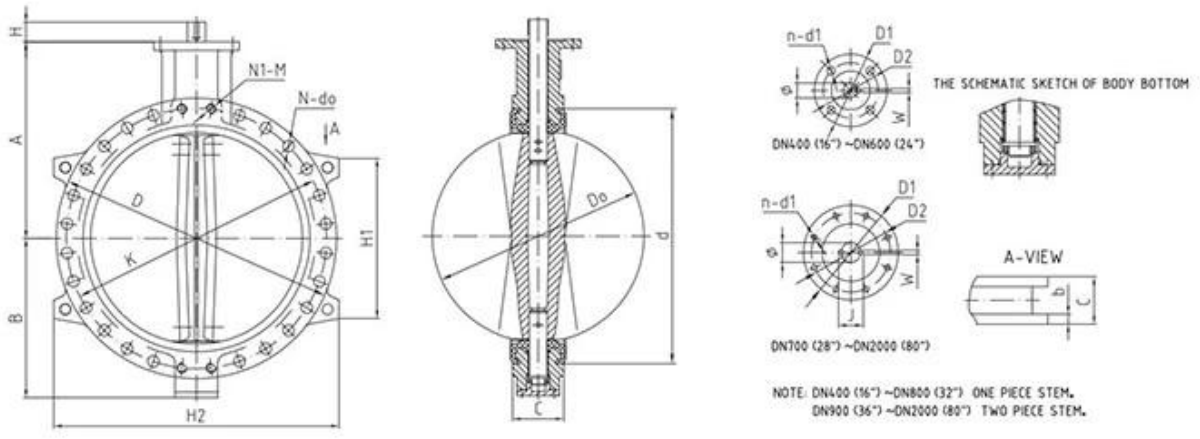
EN558-1 20

1.

2.

3.

DN32 -DN2400
PN6 -PN10 -PN16 150
-40°C-+120°C
NBR EPDM Nature Rubber Silicon Viton
U



# APPLICATION SCENARIO



Industrial water application



Power plant



Sea water desalination



Water treatment



Water supply and drainage



HAVC



Food and drug



Water transport



# COMPANY INFORMATION



is a leading manufacturer of advanced CNC

divanced Advanced CNC machinery and related

related products and services.

us in the United States and other

include GB, TUV CE, ISO 9001, ADWO-2000, TS, PED, WRC, WRA, KTW, API 6D, API609.

VIETNAM. [www.vietnam.com](#) / 0123456789 / 0123456789



01

21 years of professional experience

03

Independent research and development team  
28 top senior professional researchers

05

100% high level ex-factory inspection

07

2 years quality assurance, repair and replacement

4 factories

02

2 professional testing centers

04

High quality imported materials

06

## COMPANY QUALIFICATION



## COMPANY EXHIBITION



Partners



□□□□□□

Q□□□□□□□□□□□□□□□□□□

A□□□□□□□□□□□□□□□□□□

Q□□□□□□□□□□□□

A□□□□□□hrdraulic□□□□□□□□RKSfluid□□□□□□□□USA□□□□□□□□□□□□□□□□□□□□□□□□□□

Q□□□□□□□□□□□□

A□RKSfluid□□□□□□□□□□□□4□□□□□□□□□□

Q□□□□□□□□

A□□□□□□□2□5□□□□□□□□□□□□□□□□□□□□□□□□□□□□□□

Q□Moq

A□□□□□□□□1PC□

Q□□□□□□□□□□

A□□□□□100□□□□□□□□2□□□□□□□□□□□□□□□□□□□

TUV□API□WRA□CE□ISO□□□□□□□□□□□□

□□din□asme□bs en□jis□api□awwa□□□□□□□□□□

Q□□□□□□□□□□□□□□□□□□

A□RKSfluid□□□20□□□□□70□□□□□R□D□□□□□□□□□□□□□□□□□□□□□□□□□□□□□□□□□