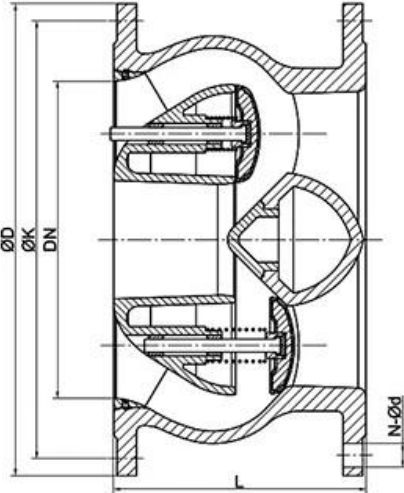
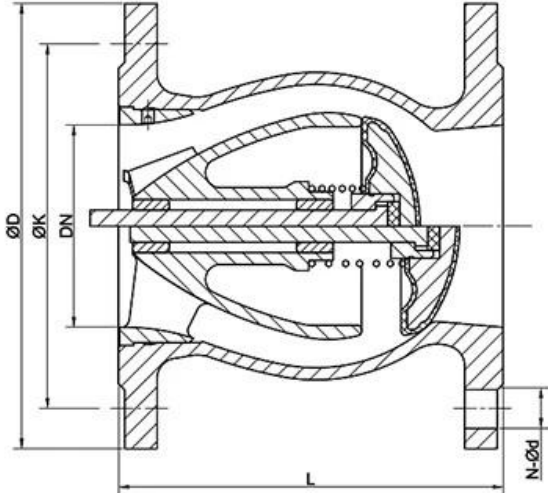




# DESIGN FEATURES

## Features

- 1.Streamlined: minimum noise
- 2.Anti-static design
- 3.Double Block & Bleed
- 4.Automatic Self-Venting Seats
- 5.Emergency Protection



# APPLICATION SCENARIO



Industrial water application



Power plant



Sea water desalination



Water treatment



Water supply and drainage



HAVC



Food and drug



Water transport



# COMPANY INFORMATION



Advanced CNC

Advanced CNC

related

us

include GB, TUV CE, ISO 9001, ADWO-2000, TS, PED, WRC, WRA, KTW, API 6D, API609

VI



01

21 years of professional experience

03

Independent research and development team  
28 top senior professional researchers

05

100% high level ex-factory inspection

07

2 years quality assurance, repair and replacement

4 factories

02

2 professional testing centers

04

High quality imported materials

06

## COMPANY QUALIFICATION



## COMPANY EXHIBITION



**Q**.....  
**A**.....

**Q**.....  
**A**.....hrdraulic..... RKSfluid.....USA.....

**Q**.....  
**A**RKSfluid.....4.....

**Q**.....  
**A**.....25.....

**Q** **Moq**  
**A**.....1PC

**Q**.....  
**A**.....100.....2.....  
TUV API WRA CE ISO.....  
din asme bs en jis api awwa.....

**Q**.....  
**A**RKSfluid.....20.....70.....R D.....