



# DESIGN FEATURES

## DURABLE

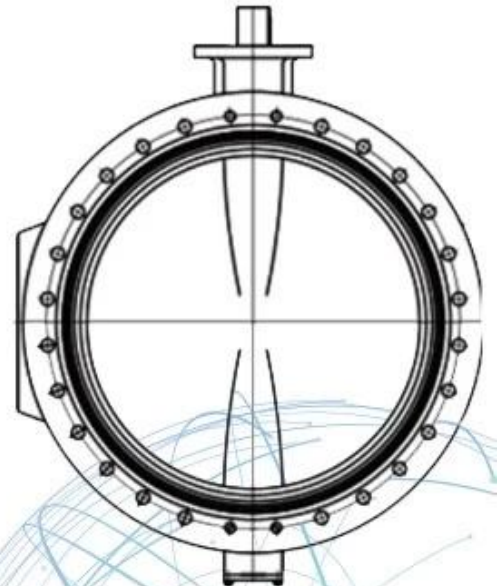
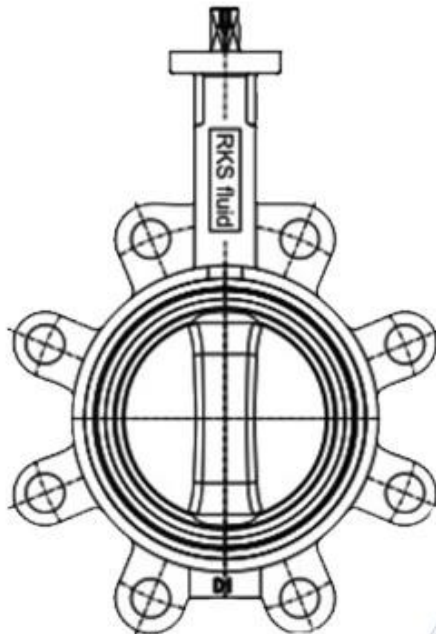
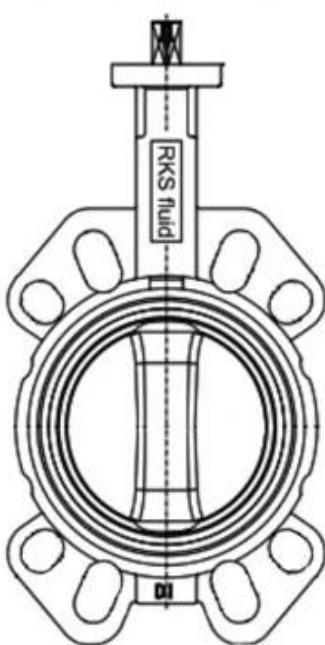
- No-pin connection, 1 pc blow-out proof stem
- DI/CI Nodularity over 95%

## ANTI-CORROSION

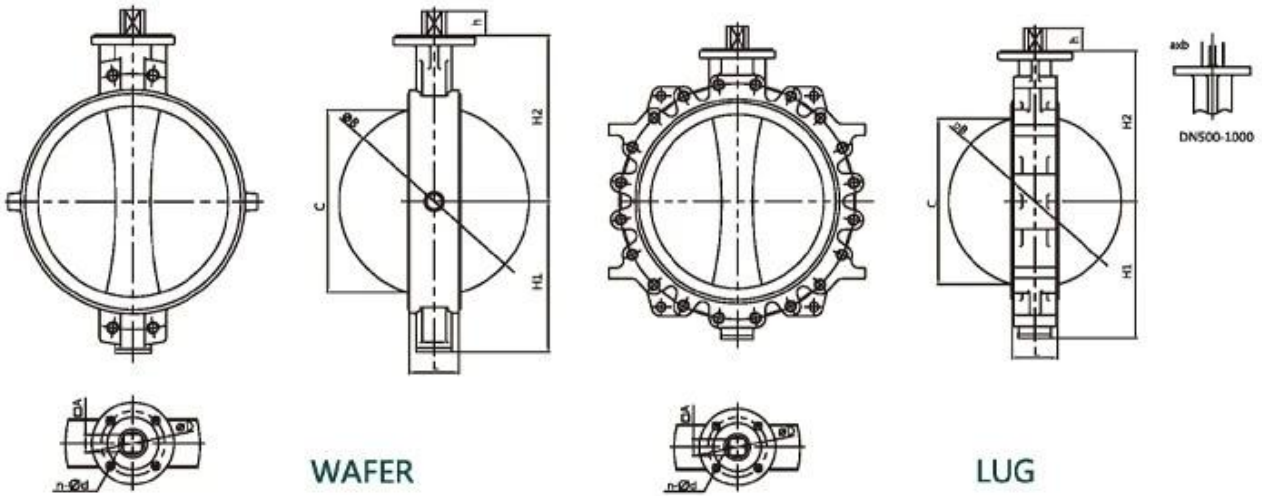
- Material: Epoxy powder:  , Earth Best!
- Coating Thickness: 200-250µm
- Spraying temp: over 200°C. Doesn't fade, even wipe with diethyl ether

## QUALITY STANDARD

- 100% quality test, follow DIN, ASTM, JIS, GB/T, ISO, BS EN, API
- ONLY ONE Manufacturer get CE certification up to DN1800
- 2 years warranty. 15000 times On-off test, 30000 times Destructive experiment



□□□	DN32□DN2400□NPS1 1/4□NPS96□
□□□□	PN6□PN10□PN16□□□□150□
□□□□	-40°C□120°C
□□	□□□□□□□□□□□□□□
□□□□□	NBR□EPDM□□□□□□□□□□□□□□



**NPS14-NPS40 Wafer/Lug with alignment holes**

Size	L	H1	H2	h	A	ΦB	C	ΦG	a	b	ΦD	n-Φd	ISO5211
NPS14	3.07	10.63	11.81	1.42	1.06	Φ13.31	12.95	-	-	-	Φ4.92	4-Φ0.55	F12
NPS16	4.02	11.81	13.58	1.69	1.26	Φ15.35	14.80	-	-	-	Φ5.50	4-Φ0.71	F14
NPS18	4.49	12.99	14.76	1.93	4.42	Φ17.20	16.61	-	-	-	Φ5.50	4-Φ0.71	F14
NPS20	5.00	15.16	16.73	2.56	-	Φ19.09	18.43	Φ2.36	0.71	2.52	Φ6.50	4-Φ0.87	F16
NPS24	6.06	17.24	19.49	2.76	-	Φ23.03	22.24	Φ2.36	0.71	2.52	Φ6.50	4-Φ0.87	F16
NPS28	6.50	20.39	22.44	3.15	-	Φ26.77	25.98	Φ2.76	0.79	2.93	Φ10.00	8-Φ0.71	F25
NPS30	6.50	21.46	24.02	3.15	-	Φ28.74	27.95	Φ2.76	0.79	2.93	Φ10.00	8-Φ0.71	F25
NPS32	7.48	22.32	25.20	3.15	-	Φ30.43	29.49	Φ2.76	0.79	2.93	Φ10.00	8-Φ0.71	F25
NPS36	7.99	25.59	27.56	3.94	-	Φ34.49	33.54	Φ3.15	0.87	3.35	Φ10.00	8-Φ0.71	F25
NPS40	8.50	28.15	29.53	3.94	-	Φ38.43	37.48	Φ3.15	0.87	3.35	Φ11.73	8-Φ0.87	F30

# APPLICATION SCENARIO



Industrial water application



Power plant



Sea water desalination



Water treatment



Water supply and drainage



HAVC



Food and drug



Water transport





# COMPANY INFORMATION



I 公司位于中国江苏省无锡市

II 公司拥有 CNC 加工中心 数控车床 数控铣床 数控刨床 数控磨床 数控钻床 数控折弯机 数控冲床 数控剪床 数控锯床 数控折弯机 数控冲床 数控剪床 数控锯床

III 公司拥有先进的生产设备

IV 公司拥有专业的技术人员

V 公司拥有 GB 质量管理体系 TUV CE ISO 9001 ADWO-2000 TS PED WRC WRAS KTW API 6D API 609

VI 公司拥有 [ISO 9001](#) 质量管理体系





01

21 years of professional experience

03

Independent research and development team  
28 top senior professional researchers

05

100% high level ex-factory inspection

07

2 years quality assurance, repair and replacement

4 factories

02

2 professional testing centers

04

High quality imported materials

06

## COMPANY QUALIFICATION



## COMPANY EXHIBITION







**Q:** 25

A: 25

**MOQ**

1

**Q:**

100% 2

TUV API WRAS CE ISO

DIN ASME BS EN JIS API AWWA

**Q:**

A: RKSfluid 27 70