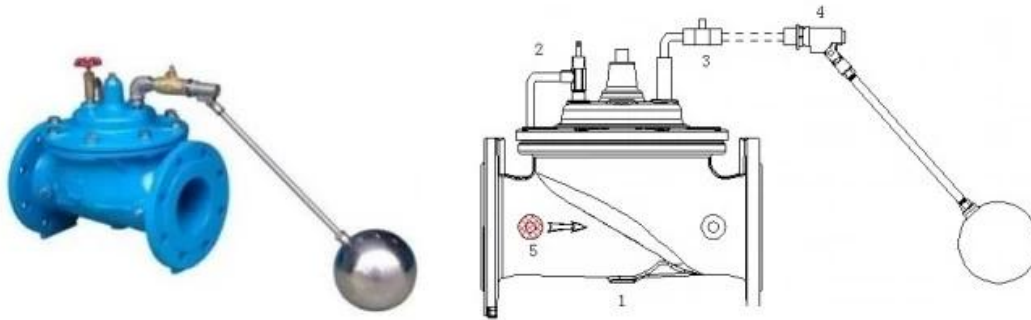
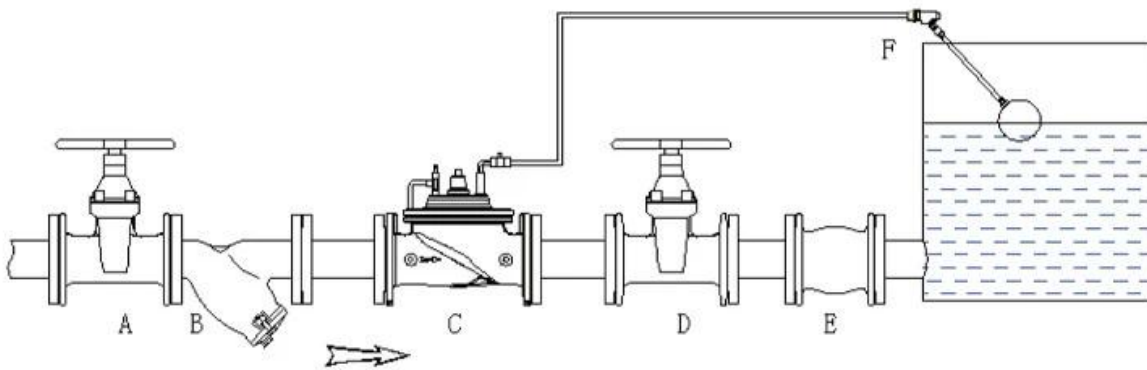


1. 2. 3. 4. 5.



1. 2. 3. 4. 5.



A. B. Y C. D. E. F.

1.

2. EN-GJS-500-7

3. CF8/SUS304

4. EPDM

5. WRAS

6. PN10/16/25

DN	L	H	H1	DN	L	H	H1
40	230	139	85	250	730	476	205
50	230	139	85	300	850	526	232





# COMPANY FACTORY



01

21 years of professional experience

03

Independent research and development team  
28 top senior professional researchers

05

100% high level ex-factory inspection

07

2 years quality assurance, repair and replacement

4 factories

02

2 professional testing centers

04

High quality imported materials

06

# COMPANY QUALIFICATION



## COMPANY EXHIBITION



## Partners



