



RKSfluid®

A key Valve in Flow Control



Butterfly Valve



Ball Valve



Gate Valve



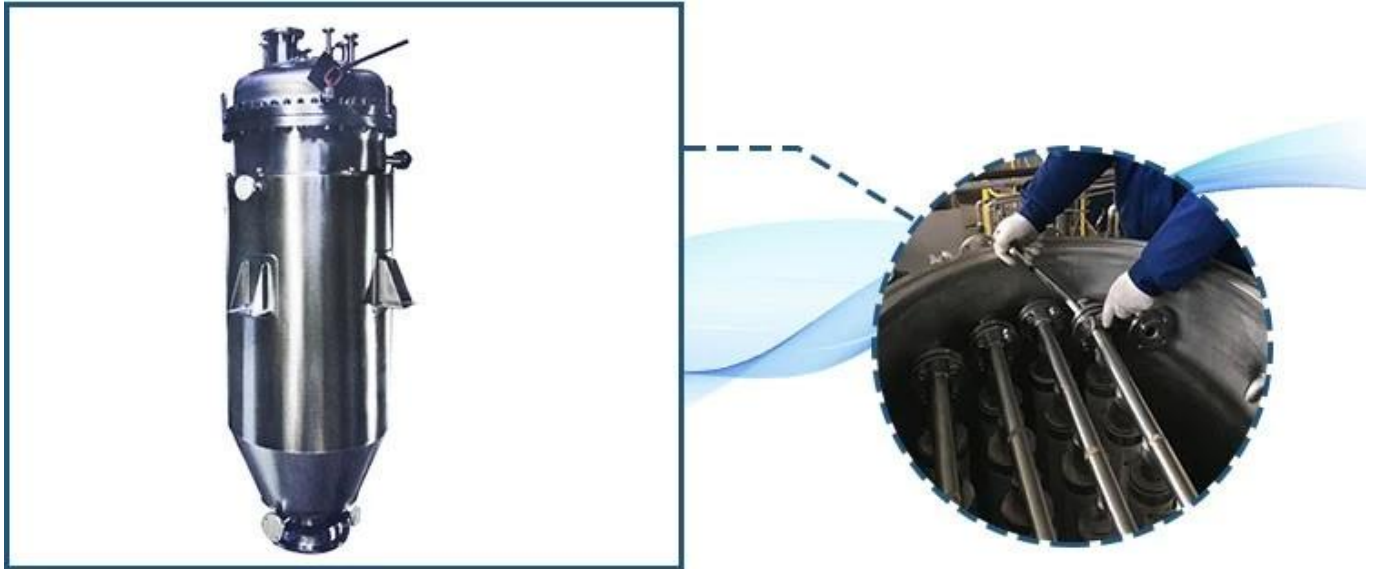
Globe Valve



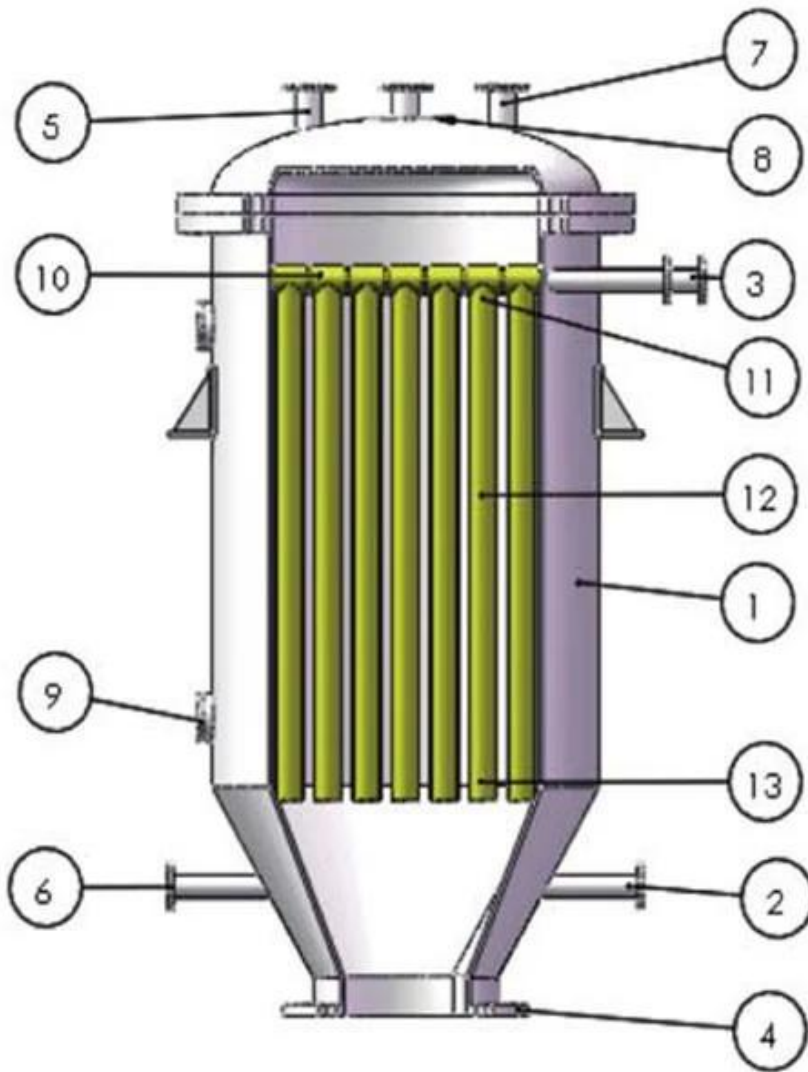
Check Valve



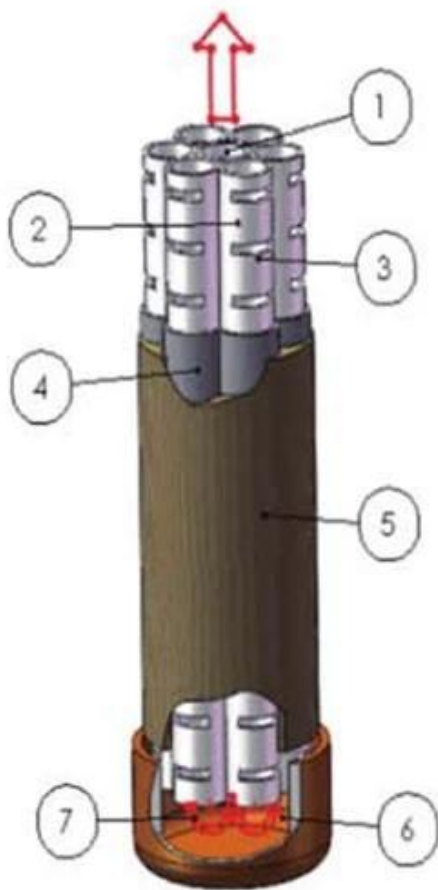
Pipe Fittings



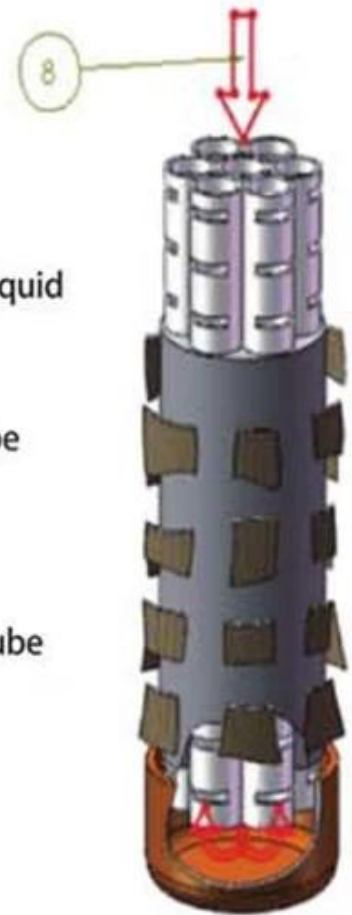
- Intelligent system, fully automatic sealing operation
- Seal zero leakage, unique structure easy for back flushing
- High efficiency by purified gas back washing
- High impurity content of filtration 0.1% ~ 50%
- Removable, porous wick, easy to replace, clean and maintain
- Designed for high production standard. Such as non-polluting food, biological products, medicine, fine chemistry, etc.



- 1, Pressure Vessel
- 2, Outlet
- 3, Outlet of clear liquid
- 4, Deslagging Port
- 5, Vent & Overflow port
- 6, Feed port
- 7, Connection port of instruments
- 8, Standby Port
- 9, Viewport
- 10, Liquid collection tube
- 11, Filtration unit
- 12, Filtration medium
- 13, Clamp for fixed the filter element



1. Central tube & Clear liquid collection tube
2. Filtration tube
3. A hole of filtration tube
4. Filtration medium
5. Filter cake
6. Collection chamber (connect the centre tube and filtration tube)
7. Clear liquid
8. Backflush gas



Our Factory



Company Advantages



1. 100% high level ex-factory inspection
2. 10 years quality assurance, repair and replacement
3. API, AWWA, ASME, BS, EN, DIN, JIS, TUV, CE, ISO9001, TS, OHSAS, WRAS
4. R&D

Exhibition Photos



Our Certificates





Tel: 024 2318 0188-899

Email/Skype: ivory@rksfluid.com

Mobile/WhatsApp/Wechat: +86 15140071761

Add: Pump & Valve Industrial Park, No. 5 Panwu Road, LiaoZhong Dist. Shenyang, Liaoning P.R. China

□□□□□□

Q1□□□□□□□□□□□□□□□□

A1□□□□□□□□□□□□□□□□□□□□

Q2□□□□□□□□□□

A2□□□□□□□□□□5-10□□□□□□□□□□□□□□□□□□□□15-90□□

Q3□□□□□□□□□□

A3□□T / T 30□□□

Q4MOQ

A4quality.We1pc

Q5

A5100

Q6

A6

Q7

A71