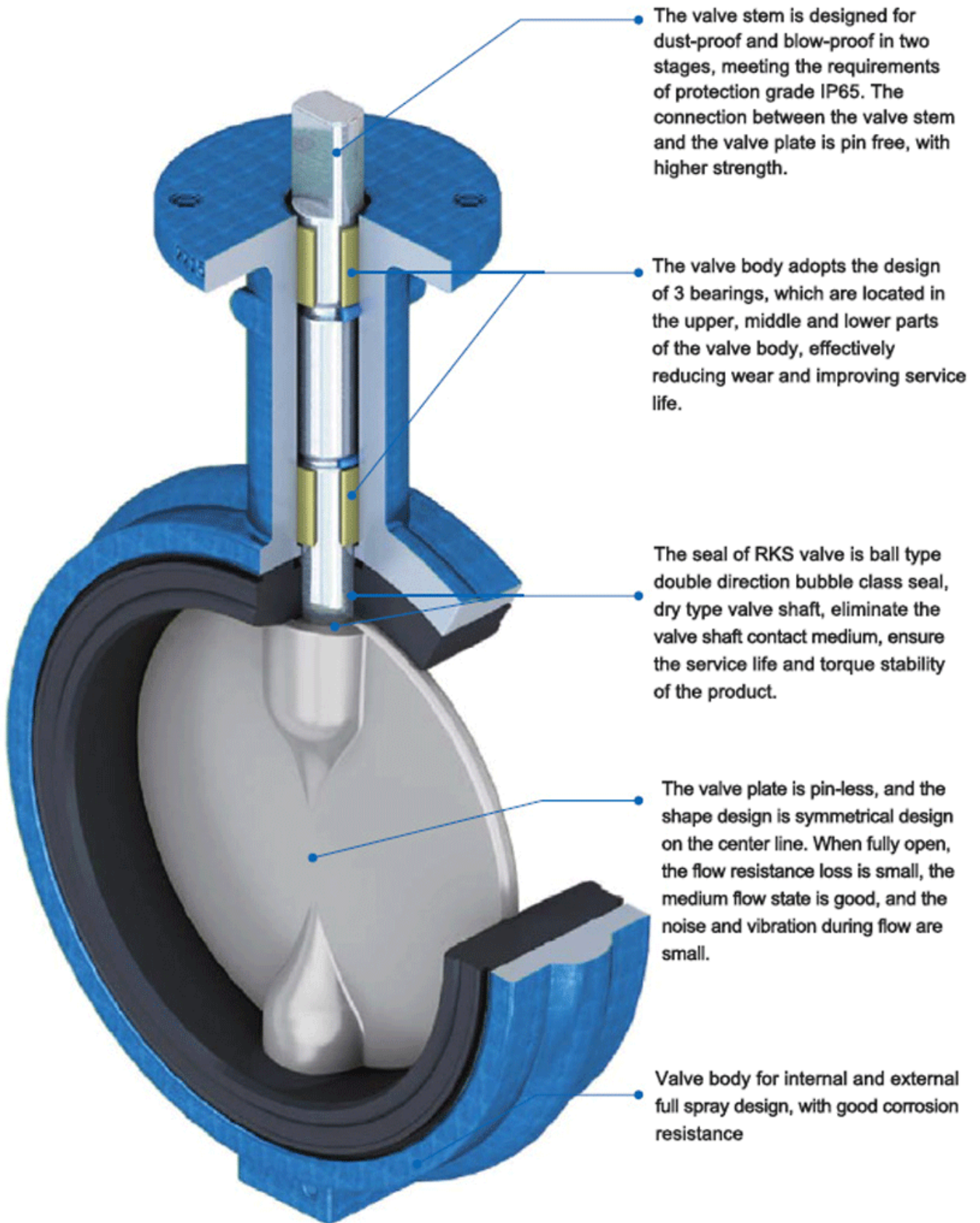


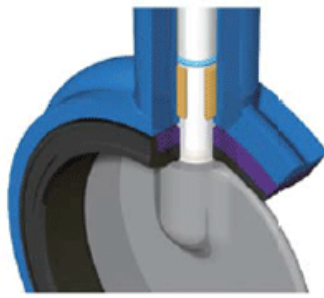
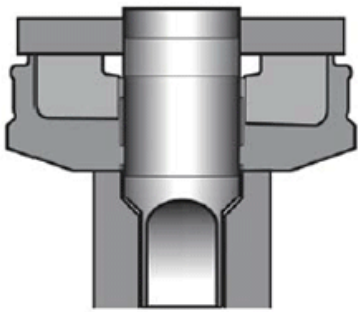


RK fluid®

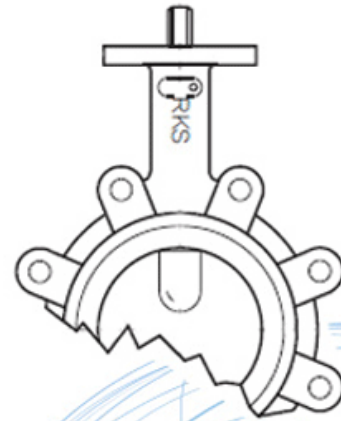
A key Valve in Flow Control







The composite seat of the RKS valve is formed by permanently gluing an elastomer to a rigid gasket ring. In addition to superior seal integrity, this design makes valve installation easier while reducing high torque and premature failure due to rubber deformation. Modular design simplifies seat replacement and ensures economical maintenance



APPLICATION SCENARIO



Industrial water application



Power plant



Sea water desalination



Water treatment



Water supply and drainage



HAVC



Food and drug

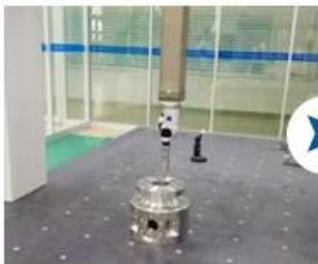


Water transport





Our Factory



Company Advantages



I 工厂拥有先进的生产设备

II 工厂拥有先进的CNC加工设备

III 工厂拥有先进的检测设备

IV 工厂拥有先进的质量管理体系

V 工厂拥有先进的质量管理体系
GB 150 压力容器设计制造标准 TUV CE ISO 9001 ADWO-2000 TS PED WRC WRAS KTW API 6D API609

Q
A

Q
A Hrdraulic RKSfluid USA

Q
A RKSfluid 4

Q
A 2 5

Q MOQ
A 1

Q
A 100 2
TUV API WRAS CE ISO
DIN ASME BS EN JIS API AWWA

Q
A RKSfluid 20 70 RD