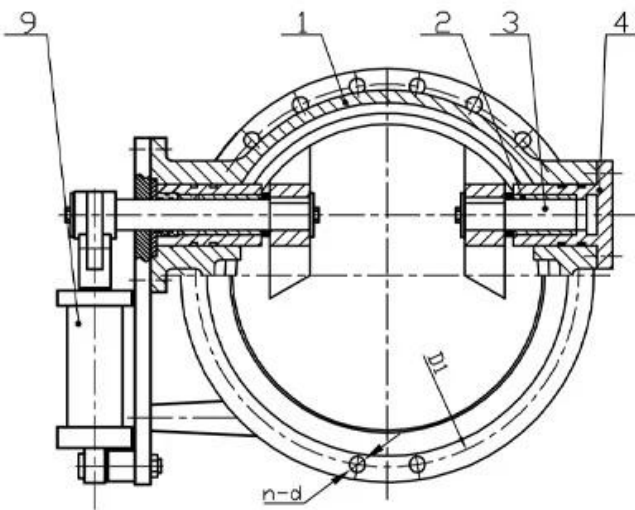


## PRODUCT STRUCTURE

### Features

- Size range DN100-1200mm
- Standard-ISO/ BS/DIN /AWWA/API
- Tests standard-BS EN 12266-1
- Body-Ductile Iron/Cast Iron/Stainless Steel/WCB
- Body Ring-SS420/SS304/SS316
- Disc Ring-EPDM
- Shaft-420/S5431/SS316
- Fusion bonded epoxy coating- Min 300 Microns

This series tilting check valves are suitable to be used at the exit of the pump whose medium is water. It is used to prevent or reduce medium back from water hammer. So it can protect the pipeline system. Suitable temperature  $\leq 80^{\circ}\text{C}$



# APPLICATION SCENARIO



Industrial water application



Power plant



Sea water desalination



Water treatment



Water supply and drainage



HAVC



Food and drug



Water transport



# COMPANY FACTORY





# COMPANY INFORMATION



i

divanced Advanced CNC

related

us

inude GB TUV CE ISO 9001 ADWO-2000 TS PED WRC WRA KTW API 6D API609

VI / /

01

21 years of professional experience

03

Independent research and development team  
28 top senior professional researchers

05

100% high level ex-factory inspection

07

2 years quality assurance, repair and replacement

4 factories

02

2 professional testing centers

04

High quality imported materials

06

## COMPANY QUALIFICATION



## COMPANY EXHIBITION



**Q**.....  
**A**.....

**Q**.....  
**A**.....hrdraulic..... RKSfluid.....USA.....

**Q**.....  
**A**RKSfluid.....4.....

**Q**.....  
**A**.....25.....

**Q** **Moq**  
**A**.....1PC

**Q**.....  
**A**.....100.....2.....  
TUV API WRA CE ISO.....  
din asme bs en jis api awwa.....

**Q**.....  
**A**RKSfluid.....20.....70.....R D.....