



# RKSfluid®

A key Valve in Flow Control



Butterfly Valve

Ball Valve

Gate Valve

Globe Valve

Check Valve

Pipe Fittings

## DESIGN FEATURES



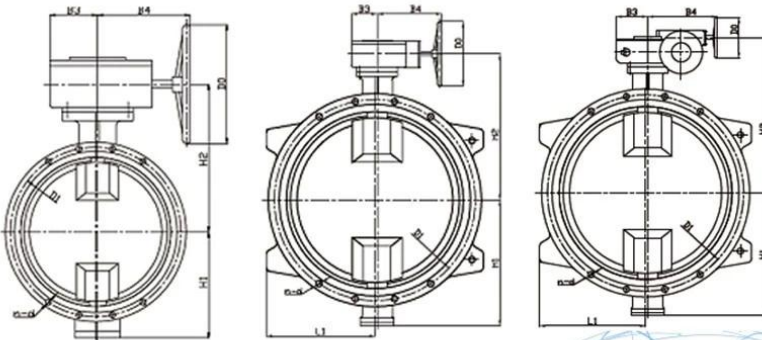
SPECIFICATION		
Nominal pressure (MPa)	1.6	
Testing pressure(MPa)	Seal	2.4
	Shell	1.76
Working pressure (MPa)	1.6	
Suitable temperature (°c)	<80°c	
Suitable medium	Water	

TECHNICAL REQUIREMENT	
1.Face to face standard: EN 558 Series 14.	
2.Flanges standard: BS EN1092-2:1997 PN16.	
3.Tests standard: BS EN12266-1:2003 Part 1 Rate A.	

### DESCRIPTION :

- ◆ Double Flange Eccentric Resilient Seated Butterfly Valve
- ◆ Size Range DN100-DN3000
- ◆ Standard - ISO / BS / DIN / AWWA /API
- ◆ Tests Standard - BS EN 12266-1
- ◆ Body - Ductile Iron / Cast Iron /Stainless Steel / WCB
- ◆ Disc - Ductile Iron / Cast Iron / Stainless Steel / WCB
- ◆ Body Ring -SS420 / SS304 / SS316
- ◆ Retaining Ring - SS420 / SS304 / SS316
- ◆ Disc Ring -EPDM
- ◆ Shaft - SS420 / SS431 / SS316
- ◆ Fusion Bonded Epoxy Coating - Min 300 Microns

The designs, material and specifications shown are subject to change without notice due to our continuing programme of product development.



DN100-DN600

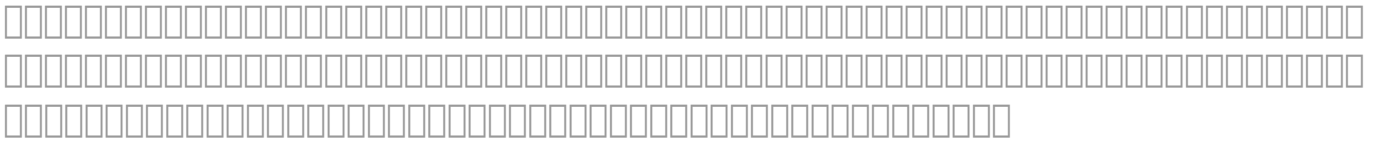
DN700-DN800

DN900-DN3000

## APPLICATION SCENARIO







## Our Certificates



## Exhibition Photos



