



RKSfluid®

A key Valve in Flow Control



Butterfly Valve

Ball Valve

Gate Valve

Globe Valve

Check Valve

Pipe Fittings

DESIGN FEATURES



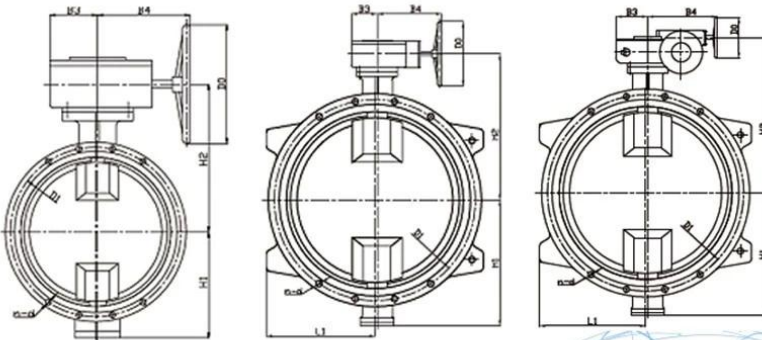
| SPECIFICATION | | |
|---------------------------|-------|------|
| Nominal pressure (MPa) | 1.6 | |
| Testing pressure(MPa) | Seal | 2.4 |
| | Shell | 1.76 |
| Working pressure (MPa) | 1.6 | |
| Suitable temperature (°c) | <80°c | |
| Suitable medium | Water | |

| TECHNICAL REQUIREMENT | |
|--|--|
| 1.Face to face standard: EN 558 Series 14. | |
| 2.Flanges standard: BS EN1092-2:1997 PN16. | |
| 3.Tests standard: BS EN12266-1:2003 Part 1 Rate A. | |

DESCRIPTION :

- ◆ Double Flange Eccentric Resilient Seated Butterfly Valve
- ◆ Size Range DN100-DN3000
- ◆ Standard - ISO / BS / DIN / AWWA /API
- ◆ Tests Standard - BS EN 12266-1
- ◆ Body - Ductile Iron / Cast Iron /Stainless Steel / WCB
- ◆ Disc - Ductile Iron / Cast Iron / Stainless Steel / WCB
- ◆ Body Ring -SS420 / SS304 / SS316
- ◆ Retaining Ring - SS420 / SS304 / SS316
- ◆ Disc Ring -EPDM
- ◆ Shaft - SS420 / SS431 / SS316
- ◆ Fusion Bonded Epoxy Coating - Min 300 Microns

The designs, material and specifications shown are subject to change without notice due to our continuing programme of product development.



DN100-DN600

DN700-DN800

DN900-DN3000

APPLICATION SCENARIO



Our Factory



RKS 1997
 CNC testing
 GB
 RKS CE
 ADWO-2000 ISO9001 TS API TUV GB ISO

Our Certificates



Exhibition Photos

