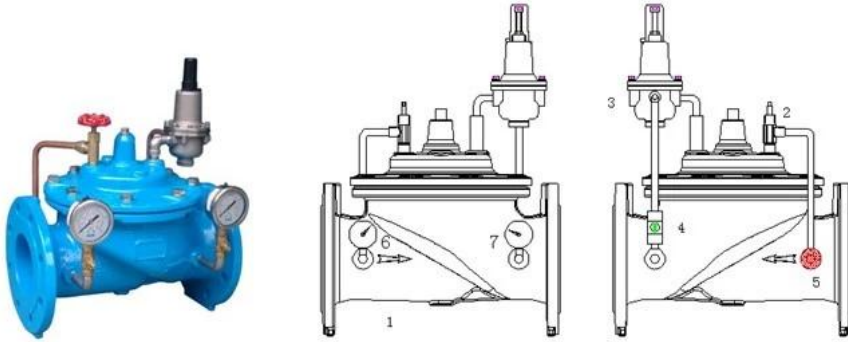
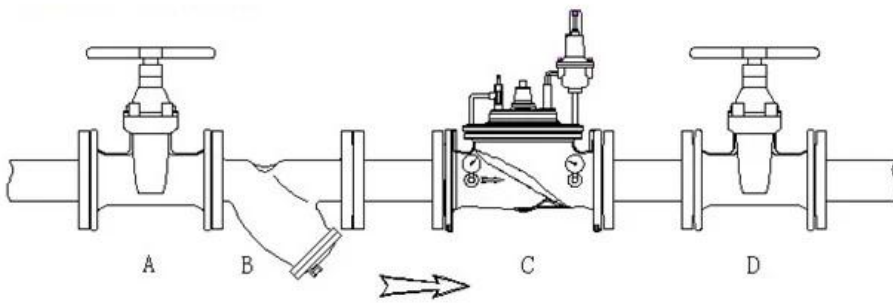


1. 200 2. 3. 4. 5. 6. 7.



1. 2. 3. 4. 5. 6.* 7.*



1. 2. 3. 4. 5. 6. 7.

1. 200 2. 3. 4. 5. 6. 7.

2. 24.

24.

Every Day 24



COMPANY INFORMATION



I 0000: 0000 00, 00 0 0000 00.

II 00 CNC 000 00, 00 0000 0, 0000 00 00, 00 00 00 0 00.

III 000 00 00 00, 00 00 00 00 0000 00000.

VI 00 0000 0000 00000000 00000000.

V 00 00: GB, 00 00, 00 00, TUV CE, ISO 9001, ADWO-2000, TS, PED, WRC WRAS, KTW, API 6D, API609.

VI 00 00: 00-0-00, 0 00, 000 00, 00 00, 000 00, 000 00, 00/00/00 000000, 00 00



COMPANY QUALIFICATION



COMPANY EXHIBITION



Partners



□□□□ □□

Q: □□ □□ □□ □□ □□ □□□□?

□: □□" □□, □□, □□, □□, □□ □□□.

Q: □□ □□□□ □□ □□□□□□ □□ □ □□□□?

□: □□□, □□□, □□□, □□□□□ □□. RKSfluid □□□□□□ □□ □□□ □□□□□□. □□□ □□ □□□□ □□□□□□.

Q: □□□ □□ □□□ □□□□□?

□: RKSfluid □□□ □□□ □□ □□□ □□□ □ □□ 4□□ □□□ □□□□□.

Q: □□ □□□□

□: □□ □□□ □□□ □□ 2~5□ □□□ □□□ □□□□□. □□□ □□□ □□ □□□ □□□□□□.

□□: MOQ

A: 1pc.

Q: ?

A: 100%, 2. .

TUV, API, WRAS, CE, ISO .

DIN, ASME, BS EN, JIS, API, AWWA .

Q: ?

A: RKSfluid 20 . 70 R&D , .