

□□:

1. □□□ □□□ □□□ □□ □□□ □□□ □ □□□ □□.

2. □□ □□

□□ □□ □□ □□ □□ □□ □□□□ □□□□.□□ □□□ □□□ □□□□ 3 □ □ □□□ □□ □□□ □□ □□□ □□□ □ □□□□ □□□□.

3. □□□□

□□ □□□ □/□□ □□□ □ □□□ □□□ □ □□□□.□□□ □□□ □□ □□□□ □□□□□□.□□ □□□ □□ □□□□□ □□□□ □□ □□ □□□□ □□ □□□ □□ □□□ □ □□□□.

4. □□

□□ □□□ □□□ □□ □□□ □□□□. □□ □□ 10 □□ □□ □□□ □□□ □□□ □□□ 10 □□ □□□ □□□ 1/9 □ 1/6□□□□.□□□□ Butterfly Valve□ □□□□ □□ □□ □□□ □□□□□□.

5. □□□ □□□□□□

□□□ □ □□ □□□□ □□ □□□ □□ □□ □□□ □□ □□□ □□ □□□ □ □□□□.

6. □□ □□□□□□

Butterfly Valve□ 90□□ □□ □ □□□□□.

7. □□ □□


□□□□ □□□ □□ □□□ □□ □□ □□□□ □□□□ □□□ □□□ □□ □□□ □ □□□□□□.

## DESIGN FEATURES

### DURABLE

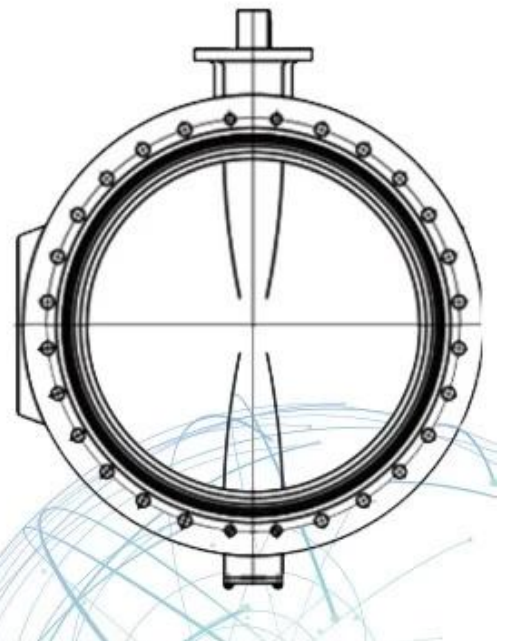
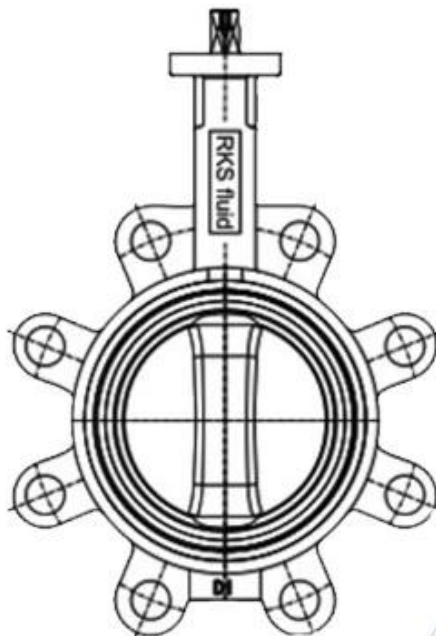
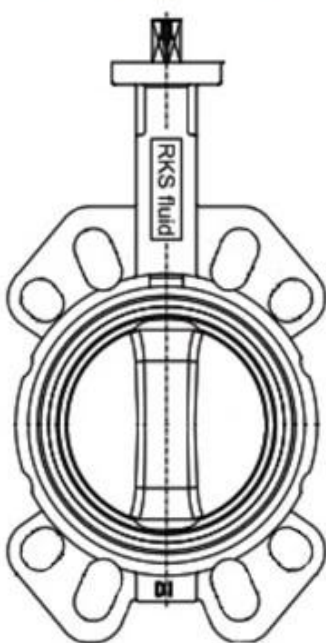
- No-pin connection, 1 pc blow-out proof stem
- DI/CI Nodularity over 95%

### ANTI-CORROSION

- Material: Epoxy powder:  , Earth Best!
- Coating Thickness: 200-250µm
- Spraying temp: over 200°C. Doesn't fade, even wipe with diethyl ether

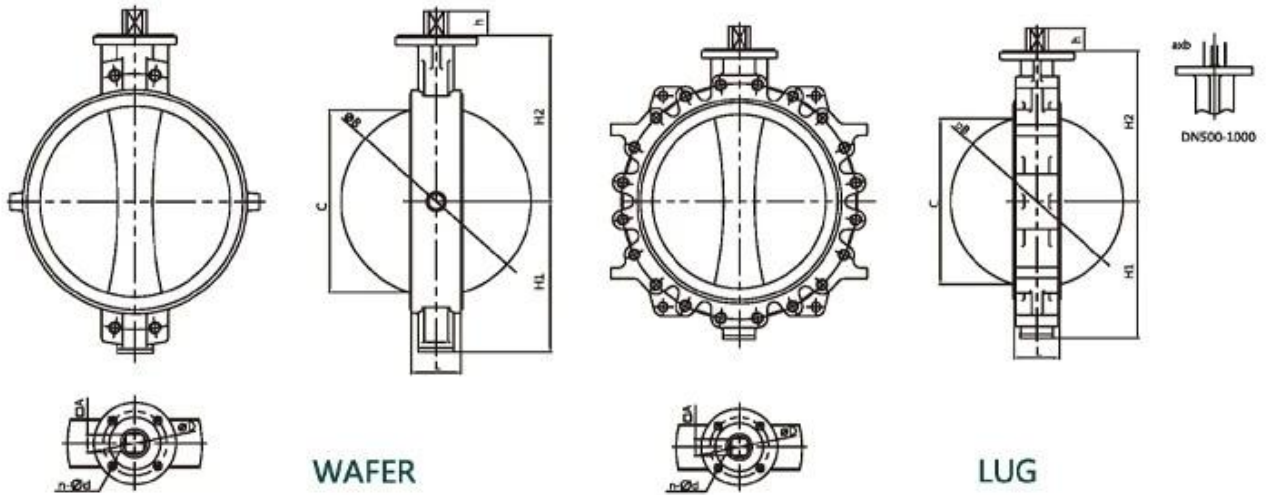
### QUALITY STANDARD

- 100% quality test, follow DIN, ASTM, JIS, GB/T, ISO, BS EN, API
- ONLY ONE Manufacturer get CE certification up to DN1800
- 2 years warranty. 15000 times On-off test, 30000 times Destructive experiment



□□	DN32 -DN2400 (NPS1 1/4 -NPS96)
□□ □□	PN6 -PN10 -PN16 (□□□ 150)
□□ □□	-40+--+120 °C

□□	□□ □, □□□□□ □□ □
□□ □□	NBR, EPDM, □□ □□, □□□, □□
□□	□□□, □□, U- □□, □□ □□□



WAFER

LUG

**NPS14-NPS40 Wafer/Lug with alignment holes**

Size	L	H1	H2	h	A	ΦB	C	ΦG	a	b	ΦD	n-Φd	IS05211
NPS14	3.07	10.63	11.81	1.42	1.06	Φ13.31	12.95	-	-	-	Φ4.92	4-Φ0.55	F12
NPS16	4.02	11.81	13.58	1.69	1.26	Φ15.35	14.80	-	-	-	Φ5.50	4-Φ0.71	F14
NPS18	4.49	12.99	14.76	1.93	4.42	Φ17.20	16.61	-	-	-	Φ5.50	4-Φ0.71	F14
NPS20	5.00	15.16	16.73	2.56	-	Φ19.09	18.43	Φ2.36	0.71	2.52	Φ6.50	4-Φ0.87	F16
NPS24	6.06	17.24	19.49	2.76	-	Φ23.03	22.24	Φ2.36	0.71	2.52	Φ6.50	4-Φ0.87	F16
NPS28	6.50	20.39	22.44	3.15	-	Φ26.77	25.98	Φ2.76	0.79	2.93	Φ10.00	8-Φ0.71	F25
NPS30	6.50	21.46	24.02	3.15	-	Φ28.74	27.95	Φ2.76	0.79	2.93	Φ10.00	8-Φ0.71	F25
NPS32	7.48	22.32	25.20	3.15	-	Φ30.43	29.49	Φ2.76	0.79	2.93	Φ10.00	8-Φ0.71	F25
NPS36	7.99	25.59	27.56	3.94	-	Φ34.49	33.54	Φ3.15	0.87	3.35	Φ10.00	8-Φ0.71	F25
NPS40	8.50	28.15	29.53	3.94	-	Φ38.43	37.48	Φ3.15	0.87	3.35	Φ11.73	8-Φ0.87	F30

# APPLICATION SCENARIO



Industrial water application



Power plant



Sea water desalination



Water treatment



Water supply and drainage



HAVC



Food and drug



Water transport



## COMPANY INFORMATION



i 0000 00 : 00 00 00, 00 0 00 00 00.

CNC 00 00, 00 00 0, 0000 00 00, 00 00 00 0 00.

■ 00 00 00 000 000 000000 000 00 00 00.

000 0000 000 0000 00 00 000 000000.

v 00 00 : GB, 00 00, 00 00, TUV CE, ISO 9001, ADWO-2000, TS, PED, WRC WRAS, KTW, API 6D, API609.

VI 00 0000 : [00-0-00](#), 0 00, 000 00, 00 00, 000 00, 000 00, 00 / 00 / 00 00000, 00 00.



01

21 years of professional experience

03

Independent research and development team  
28 top senior professional researchers

05

100% high level ex-factory inspection

07

2 years quality assurance, repair and replacement

4 factories

02

2 professional testing centers

04

High quality imported materials

06

## COMPANY QUALIFICATION



## COMPANY EXHIBITION





## Partners



### Delivery



### Payment



□□□□ □□:

Q : □□□ □□□ □□ □□ □□□□□□?

A : □□□ □□, □□, □□, □□, □□ □□□.

Q : □□□□□□ □□ □ □ □□□□?

A : □□, □□, hrdraulic, □□□□□□ □□.RKSfluid □□□□□□ □□ □□□ □□□□□.□□□□ □□ □□ □□□□ □ □□□□.

Q : □□ □□□ □□□□□?

A : RKSfluid□□ □□□ □□□ □□ □ □□□ 4 □□ □□□□ □□□□.

**Q :** 鋼 鋼 鋼

A : 鋼 鋼 2 ~ 5 鋼 鋼 鋼 鋼.鋼 鋼 鋼 鋼 鋼.

**Q : MOQ**

A : 鋼 鋼 鋼 1pc.

**Q :** 鋼 鋼 鋼 鋼?

A : 鋼 鋼 100% 鋼 鋼, 2 鋼 鋼.鋼 鋼 鋼 鋼 鋼 鋼.

鋼 鋼 TUV, API, WRA, CE, ISO 鋼 鋼 鋼 鋼.

鋼 鋼 DIN, ASME, BS EN, JIS, API, AWWA 鋼 鋼.

**Q :** 鋼 鋼 鋼 鋼 鋼 鋼 鋼 鋼?

A : RKSfluid 鋼 鋼 20 鋼 鋼 70 鋼 鋼 R & D 鋼 鋼 鋼 鋼, 鋼 鋼 鋼 鋼 鋼 鋼.