

□□:

1. □□□ □□□ □□□ □□ □□□ □□□ □ □□□ □□.

2. □□ □□

□□ □□ □□ □□ □□ □□ □□□□ □□□□.□□ □□□ □□□ □□□□ 3 □ □ □□□ □□ □□□ □□ □□□ □□ □ □ 75%□ □□□□.

3. □□□

□□ □□□ □/□□ □□□ □ □□□ □□□ □ □□□□.□□□ □□□ □□ □□□□ □□□□□□.□□ □□□ □□ □□□□□ □□□□ □□ □□ □□□□ □□ □□□ □□ □□□ □ □□□□.

4. □□

□□ □□□ □□□ □□□ □□ □□□□. □□ □□ 10 □□ □□ □□□ □□□ □□□ □□□ 10 □□ □□□ □□□ 1/9 □ 1/6□□□□.□□□ Butterfly Valve□ □□□□ □□ □□ □□□ □□□□□□.

5. □□□ □□□□□

□□□ □ □□ □□□□ □□ □□□ □□ □□ □□□ □□ □□□ □□ □□□ □ □□□□.

6. □□ □□□□□

Butterfly Valve□ 90□□ □□ □ □□□□.

7. □□ □□

□□□□ □□□ □□ □□□ □□ □□ □□□□ □□□□ □□□ □□□ □□ □□□ □ □□□□□.

DESIGN FEATURES

DURABLE

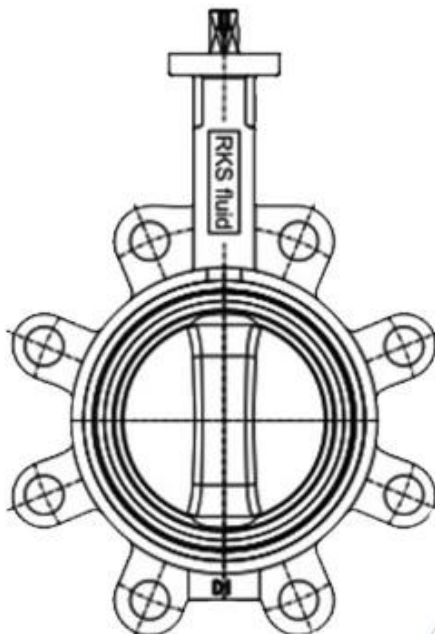
- No-pin connection, 1 pc blow-out proof stem
- DI/CI Nodularity over 95%

ANTI-CORROSION

- Material: Epoxy powder:  , Earth Best!
- Coating Thickness: 200-250µm
- Spraying temp: over 200°C. Doesn't fade, even wipe with diethyl ether

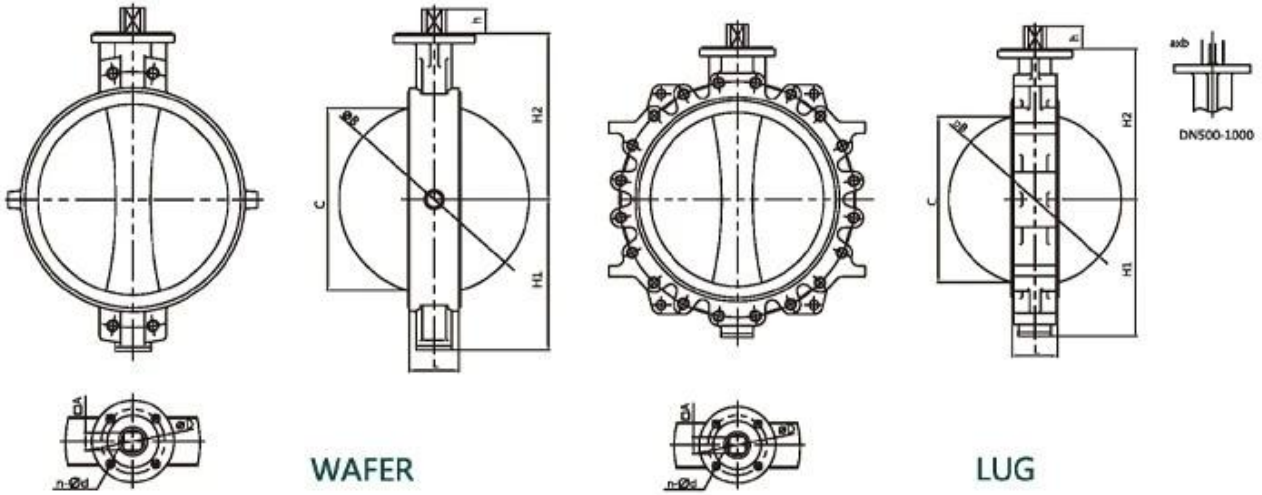
QUALITY STANDARD

- 100% quality test, follow DIN, ASTM, JIS, GB/T, ISO, BS EN, API
- ONLY ONE Manufacturer get CE certification up to DN1800
- 2 years warranty. 15000 times On-off test, 30000 times Destructive experiment



| | |
|-------|--------------------------------|
| □□ | DN32 -DN2400 (NPS1 1/4 -NPS96) |
| □□ □□ | PN6 -PN10 -PN16 (□□□ 150) |
| □□ □□ | -40+--+120 °C |

| | |
|-------|---------------------------|
| □□ | □□ □, □□□□□ □□ □ |
| □□ □□ | NBR, EPDM, □□ □□, □□□, □□ |
| □□ | □□□, □□, U- □□, □□ □□□ |



| NPS14-NPS40 Wafer/Lug with alignment holes | | | | | | | | | | | | | |
|--|------|-------|-------|------|------|--------|-------|-------|------|------|--------|---------|---------|
| Size | L | H1 | H2 | h | A | ΦB | C | ΦG | a | b | ΦD | n-Φd | IS05211 |
| NPS14 | 3.07 | 10.63 | 11.81 | 1.42 | 1.06 | Φ13.31 | 12.95 | - | - | - | Φ4.92 | 4-Φ0.55 | F12 |
| NPS16 | 4.02 | 11.81 | 13.58 | 1.69 | 1.26 | Φ15.35 | 14.80 | - | - | - | Φ5.50 | 4-Φ0.71 | F14 |
| NPS18 | 4.49 | 12.99 | 14.76 | 1.93 | 4.42 | Φ17.20 | 16.61 | - | - | - | Φ5.50 | 4-Φ0.71 | F14 |
| NPS20 | 5.00 | 15.16 | 16.73 | 2.56 | - | Φ19.09 | 18.43 | Φ2.36 | 0.71 | 2.52 | Φ6.50 | 4-Φ0.87 | F16 |
| NPS24 | 6.06 | 17.24 | 19.49 | 2.76 | - | Φ23.03 | 22.24 | Φ2.36 | 0.71 | 2.52 | Φ6.50 | 4-Φ0.87 | F16 |
| NPS28 | 6.50 | 20.39 | 22.44 | 3.15 | - | Φ26.77 | 25.98 | Φ2.76 | 0.79 | 2.93 | Φ10.00 | 8-Φ0.71 | F25 |
| NPS30 | 6.50 | 21.46 | 24.02 | 3.15 | - | Φ28.74 | 27.95 | Φ2.76 | 0.79 | 2.93 | Φ10.00 | 8-Φ0.71 | F25 |
| NPS32 | 7.48 | 22.32 | 25.20 | 3.15 | - | Φ30.43 | 29.49 | Φ2.76 | 0.79 | 2.93 | Φ10.00 | 8-Φ0.71 | F25 |
| NPS36 | 7.99 | 25.59 | 27.56 | 3.94 | - | Φ34.49 | 33.54 | Φ3.15 | 0.87 | 3.35 | Φ10.00 | 8-Φ0.71 | F25 |
| NPS40 | 8.50 | 28.15 | 29.53 | 3.94 | - | Φ38.43 | 37.48 | Φ3.15 | 0.87 | 3.35 | Φ11.73 | 8-Φ0.87 | F30 |

APPLICATION SCENARIO



Industrial water application



Power plant



Sea water desalination



Water treatment



Water supply and drainage



HAVC



Food and drug



Water transport



COMPANY INFORMATION



i 0000 00 : 00 00 00, 00 0 00 00 00.

CNC 00 00, 00 00 0, 0000 00 00, 00 00 00 0 00.

■ 00 00 00 000 000 000000 000 00 00 00.

000 0000 000 0000 00 00 000 000000.

v 00 00 : GB, 00 00, 00 00, TUV CE, ISO 9001, ADWO-2000, TS, PED, WRC WRAS, KTW, API 6D, API609.

VI 00 0000 : [00-0-00](#), 0 00, 000 00, 00 00, 000 00, 000 00, 00 / 00 / 00 00000, 00 00.



01

21 years of professional experience

03

Independent research and development team
28 top senior professional researchers

05

100% high level ex-factory inspection

07

2 years quality assurance, repair and replacement

4 factories

02

2 professional testing centers

04

High quality imported materials

06

COMPANY QUALIFICATION



COMPANY EXHIBITION



Partners



Delivery



Payment



□□□□ □□:

Q : □□□ □□□ □□ □□ □□□□□□?

A : □□□ □□, □□, □□, □□, □□ □□□.

Q : □□□□□□ □□ □ □ □□□□?

A : □□, □□, hrdraulic, □□□□□□ □□.RKSfluid □□□□□□ □□ □□□ □□□□□.□□□□ □□ □□ □□□□ □ □□□□.

Q : □□ □□□ □□□□□?

A : RKSfluid□□ □□□ □□□ □□ □ □□□ 4 □□ □□□□ □□□□.

Q : 鋼 鋼 鋼

A : 鋼 鋼 2 ~ 5 鋼 鋼 鋼 鋼.鋼 鋼 鋼 鋼 鋼.

Q : MOQ

A : 鋼 鋼 鋼 1pc.

Q : 鋼 鋼 鋼 鋼?

A : 鋼 鋼 100% 鋼 鋼, 2 鋼 鋼.鋼 鋼 鋼 鋼 鋼.

鋼 鋼 TUV, API, WRA, CE, ISO 鋼 鋼 鋼 鋼.

鋼 鋼 DIN, ASME, BS EN, JIS, API, AWWA 鋼 鋼 鋼.

Q : 鋼 鋼 鋼 鋼 鋼 鋼 鋼 鋼?

A : RKSfluid 鋼 鋼 20 鋼 鋼 70 鋼 鋼 R & D 鋼 鋼 鋼 鋼, 鋼 鋼 鋼 鋼 鋼 鋼 鋼.