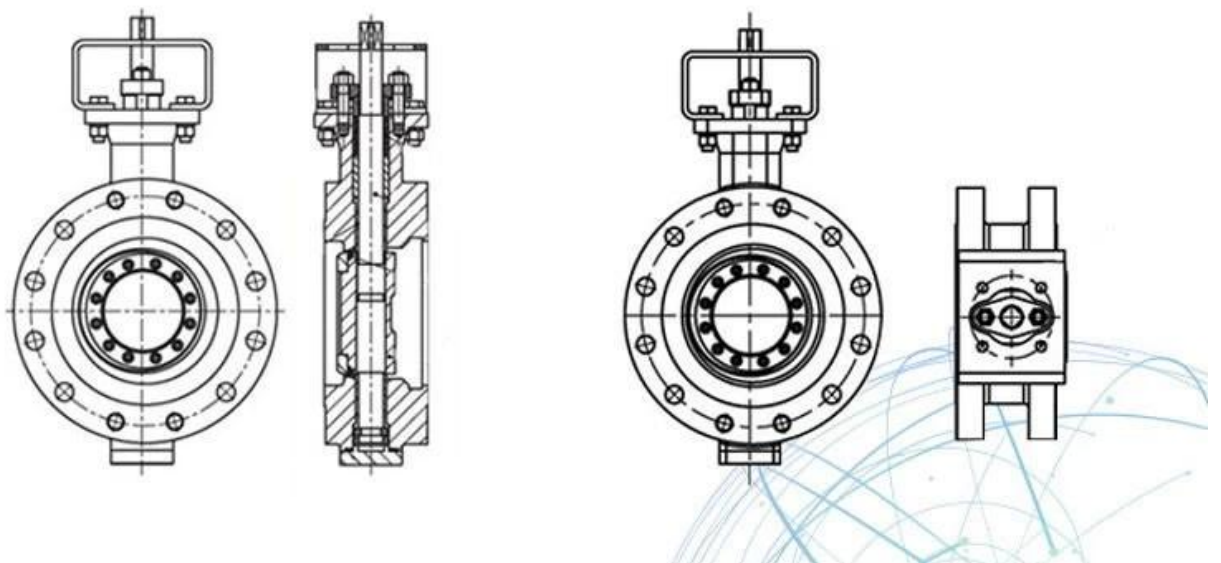


DESIGN FEATURES



APPLICATION SCENARIO



Industrial water application



Power plant



Petroleum



Nuclear plant



Hydroelectric power



Marine operation



Healing drugs



Refined coal



Our Factory



Company Advantages

01

21 years of professional experience

03

Independent research and development team
28 top senior professional researchers

05

100% high level ex-factory inspection

07

2 years quality assurance, repair and replacement

4 factories

02

2 professional testing centers

04

High quality imported materials

06



i 0000 00 : 00 00 00, 00 0 00 00 00.

CNC 00 00, 00 00 0, 0000 00 00, 00 00 00 0 00.

■ 00 00 00 000 000 0000000 000 00 00 00.

000 0000 000 0000 00 00 000 0000000.

v 00 00 : GB, 00 00, 00 00, TUV CE, ISO 9001, ADWO-2000, TS, PED, WRC WRA, KTW, API 6D, API609.

Q : 鋼製 鋼管 鋼 鋼 鋼製 鋼管?

A : 鋼製 鋼管, 鋼製, 鋼製, 鋼製, 鋼製 鋼管.

Q : 鋼管鋼管 鋼 鋼 鋼管?

A : 鋼製, 鋼製, hrdraulic, 鋼管鋼管 鋼製. RKSfluid 鋼管鋼管 鋼製 鋼管 鋼管鋼管. 鋼製 鋼管 鋼製 鋼製 鋼管鋼管 鋼 鋼管鋼管.

Q : 鋼製 鋼管 鋼管鋼管?

A : RKSfluid 鋼製 鋼管 鋼管 鋼製 鋼製 4 鋼製 鋼管 鋼管鋼管.

Q : 鋼製 鋼管 鋼製

A : 鋼製 鋼管 2 ~ 5 鋼管鋼管 鋼管 鋼管鋼管. 鋼製 鋼管 鋼製 鋼管 鋼製.

Q : MOQ

A : 鋼製 鋼管 鋼製 1pc.

Q : 鋼製 鋼管 鋼管鋼管?

A : 鋼製 鋼 100% 鋼製 鋼管, 2 鋼製. 鋼管鋼管 鋼管鋼管 鋼管鋼管鋼管.

TUV, API, WRA, CE, ISO 鋼管 鋼管鋼管.

鋼管鋼管 DIN, ASME, BS EN, JIS, API, AWWA 鋼管鋼管鋼管.

Q : 鋼管鋼管 鋼管鋼管 鋼管 鋼製 鋼製 鋼管鋼管?

A : RKSfluid 鋼管鋼管 20 鋼管鋼管 70 鋼管鋼管 R & D 鋼管鋼管 鋼製 鋼管, 鋼製 鋼管 鋼製 鋼管鋼管 鋼管鋼管鋼管.