



## Air Release valve

Size range:DN25–DN300

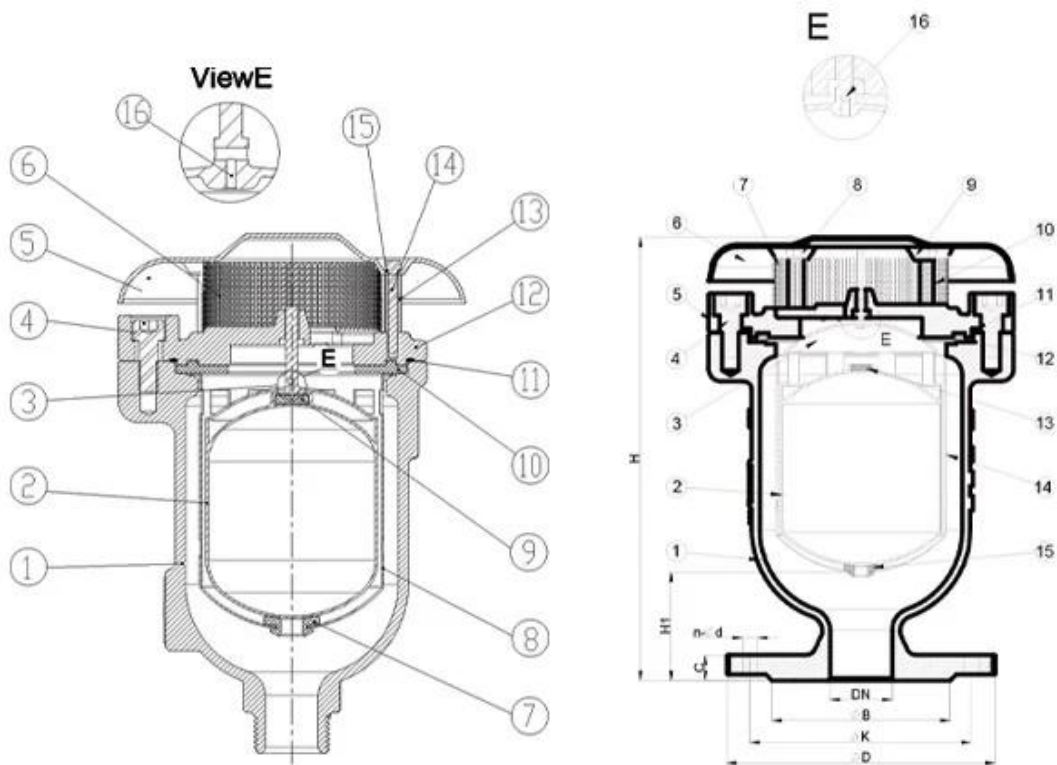
Pressure ratings:PN10 PN16

Body:Ductile Iron

Trim:SS304 SS316 etc

Connection:ARVS/KARS–BPT threaded, KARX–Flanged

Working temperature:  $-10^{\circ}\text{C}\sim+80^{\circ}\text{C}$



DN25–DN50

DN50–DN300

□□:

1. □□□ □□□□□□ □□□□ □□□□ □ □□ □ □□ □□ □□ □□□□□□ □□ □□□.
2. □□ □□□□ □□ □□□□ □ □□ □□ □□ □□□ □□ □□□□ □□ □□□□.
3. □□ □□□□□□ Bottom □□ □□□ □□□□ □□□□ □□□ □□□ □□ □□□□□□. □□ □□□□ □□□□□□ □□□□ □□□□□□.
4. □□ □□ □□□ □□□□ □□ □□□□ □□, □□, □□ □□□ □□□□□□. □□□ □□□ □□□□ □□□□ □□□ □□□□ □□□□ □□ □□□□□□.
5. comply bs en 1074-4

# COMPANY INFORMATION



RKSfluid is a Foundry established in 1997. We specialize in CNC machining, casting, and other metal processing services. Our factory is located in Liaoning Province, China. We provide high-quality products and services, adhering to GB standards. RKSfluid is a leading manufacturer of metal components and parts.

Our products are certified according to: GB, ISO, CE, ADWO-2000, TUV, ISO9001, TS, API.

Our services include: casting, CNC machining, welding, metal processing, etc.

Our products are used in various industries, such as automotive, machinery, etc.

Our products are of high quality and reliability. We are committed to providing excellent customer service and support.

Contact us today!

Our products are: metal parts, metal components, etc.

CNC machining, casting, welding, metal processing, etc.

Our products are used in various industries, such as automotive, machinery, etc.

Our products are of high quality and reliability. We are committed to providing excellent customer service and support.

Our products are certified according to: GB, ISO, CE, TUV, ISO 9001, ADWO-2000, TS, PED, WRC WRA, KTW, API 6D, API609.

Our products are: metal parts, metal components, metal processing, etc.

01

21 years of professional experience

03

Independent research and development team  
28 top senior professional researchers

05

100% high level ex-factory inspection

07

2 years quality assurance, repair and replacement

4 factories

02

2 professional testing centers

04

High quality imported materials

06



## COMPANY QUALIFICATION



## COMPANY EXHIBITION



□□□□ □□:

**Q :** □□□ □□□ □□ □□ □□□ □□□□□?

A : □□□ □□, □□, □□, □□, □□ □□□.

**Q :** □□□□□□ □□ □ □ □□□□?

A : □□, □□, hrdraulic, □□□□□ □□. RKSfluid □□□□□□ □□ □□□ □□□□□□. □□□ □□□ □□ □□ □□□□ □ □□□□.

**Q :** □□ □□□ □□□□□?

A : RKSfluid□□ □□□ □□□ □□ □ □□□ 4 □□ □□□ □□□□□.

**Q :** □□ □□ □□

A : □□ □□□ 2 ~ 5 □□□□ □□□ □□□□□. □□□ □□□ □□ □□□ □□.

**Q :** **MOQ**

A : □□ □□□ □□ 1pc.

**Q :** □□ □□□ □□□□□?

A : □□ □ 100% □□ □□□, 2 □ □□. □□□□ □□□□ □□□□□□.

TUV, API, WRA, CE, ISO □□□ □□□□□□.

□□□ DIN, ASME, BS EN, JIS, API, AWWA□ □□□□□□.

**Q :** □□□□ □□□ □□□□ □□□ □□ □ □ □□□□?

A : RKSfluid □□□ 20 □ □□□ 70 □ □□□ R & D □□□□□ □□ □□, □□ □□ □ □□ □□□ □□□□□.