



Air Release valve

Size range:DN25-DN300

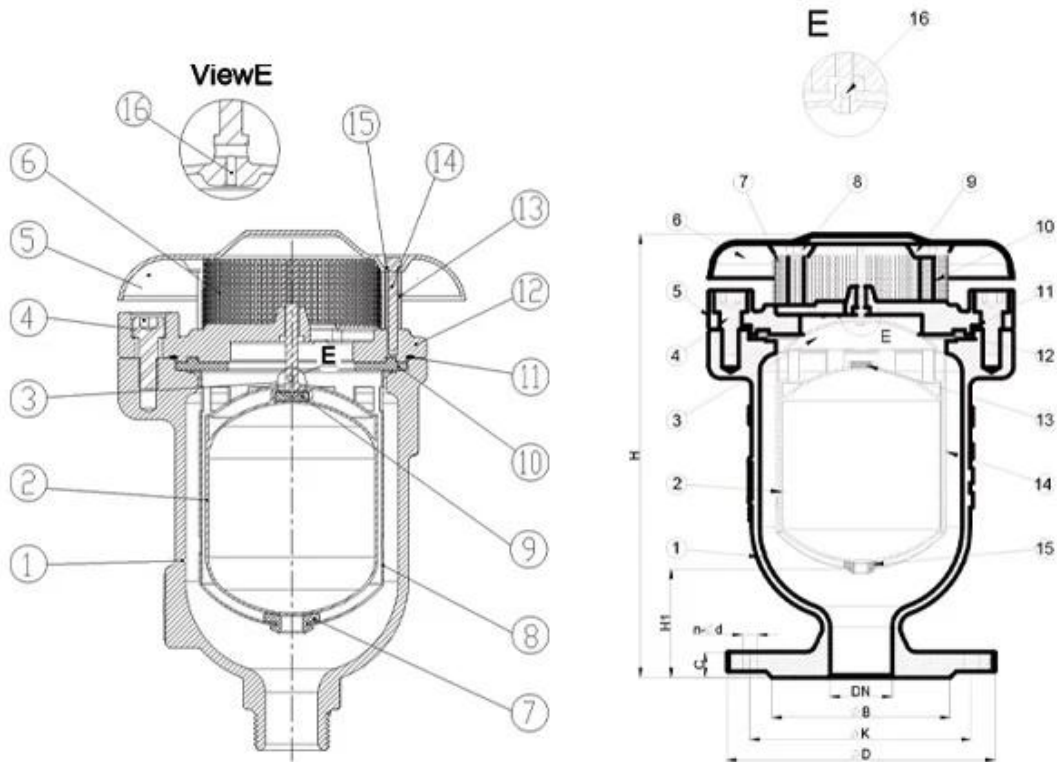
Pressure ratings:PN10 PN16

Body:Ductile Iron

Trim:SS304 SS316 etc

Connection:ARVS/KARS-BPT threaded, KARX-Flanged

Working temperature: -10°C~+80°C



DN25-DN50

DN50-DN300

□□:

1. □□□ □□□□□□ □□□□ □□□□ □ □ □ □ □ □ □ □ □ □ □□□□□□ □□ □□□.
2. □□ □□□□ □□ □□□□ □ □ □ □ □ □ □□ □□ □□□□ □□ □□□□.
3. □□ □□□□□□ Bottom □□ □□□ □□□□ □□ □□□ □□□ □□ □□□□□□□□ □□ □□□□ □□□□ □□□□□□ □□ □□□□□.
4. □□ □□ □□□ □□□□ □□ □□□□ □□, □□, □□ □□□ □□□□□□. □□□ □□□ □□□□ □□□□ □□□ □□□□ □□□□ □□ □□□□□.
5. comply bs en 1074-4

COMPANY INFORMATION



RKSfluid is a Foundry, established in 1997, specializing in CNC casting. We are located in Liaoning Province, China, and provide high-quality casting services. Our products are certified according to GB standards.

Our products are certified according to GB, ISO, CE, ADWO-2000, TUV, ISO9001, TS, API.

Our products are: cast iron, cast steel, cast aluminum, cast copper, cast nickel, cast titanium.

Our products are: cast iron, cast steel, cast aluminum, cast copper, cast nickel, cast titanium.

Our products are: cast iron, cast steel, cast aluminum, cast copper, cast nickel, cast titanium.

Our products are: cast iron, cast steel, cast aluminum, cast copper, cast nickel, cast titanium.

Our products are: cast iron, cast steel, cast aluminum, cast copper, cast nickel, cast titanium.

CNC casting, cast iron, cast steel, cast aluminum, cast copper, cast nickel, cast titanium.

Our products are: cast iron, cast steel, cast aluminum, cast copper, cast nickel, cast titanium.

Our products are: cast iron, cast steel, cast aluminum, cast copper, cast nickel, cast titanium.

Our products are: GB, cast iron, cast steel, TUV CE, ISO 9001, ADWO-2000, TS, PED, WRC WRA, KTW, API 6D, API609.

VI cast iron: cast iron, cast steel, cast aluminum, cast copper, cast nickel, cast titanium, cast / cast / cast iron, cast iron.

01

21 years of professional experience

03

Independent research and development team
28 top senior professional researchers

05

100% high level ex-factory inspection

07

2 years quality assurance, repair and replacement

4 factories

02

2 professional testing centers

04

High quality imported materials

06

COMPANY QUALIFICATION



COMPANY EXHIBITION



□□□□ □□:

Q : □□□ □□□ □□ □□ □□□□□□?

A : □□□□ □□, □□, □□, □□, □□ □□□.

Q : □□□□□□ □□ □ □ □□□□?

A : □□, □□, hrdraulic, □□□□□ □□.RKSfluid □□□□□□ □□ □□□ □□□□□□.□□□□ □□□ □□ □□□□ □ □□□□□.

Q : □□ □□□ □□□□□□?

A : RKSfluid□□ □□□ □□□ □□ □ □□□□ 4 □□ □□□ □□□□□.

Q : □□ □□ □□ □□

A : □□ □□□ 2 ~ 5 □□□□ □□□ □□□□□.□□□□ □□□ □□□ □□.

Q : **MOQ**

A : □□ □□□ □□ 1pc.

Q : □□ □□□ □□□□□□?

A : □□ □ 100% □□ □□□, 2 □ □□.□□□□ □□□□ □□□□□□□.

TUV, API, WRA, CE, ISO □□□ □□□□□□.

□□□ DIN, ASME, BS EN, JIS, API, AWWA□ □□□□□□.

Q : □□□□ □□□ □□□□ □□□ □□ □ □ □□□□?

A : RKSfluid □□□ 20 □ □□□ 70 □ □□□ R & D □□□□□□ □□ □□, □□ □□ □ □□ □□□ □□□□□□.