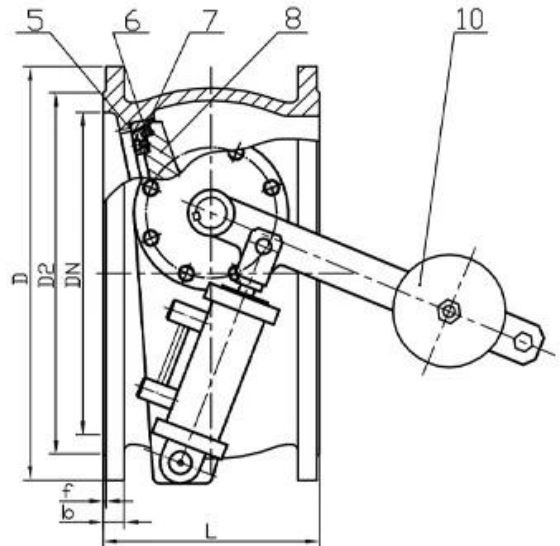
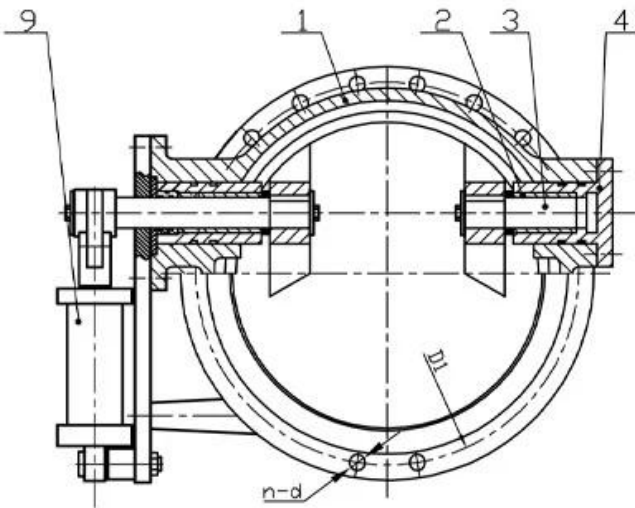


PRODUCT STRUCTURE

Features

- Size range DN100-1200mm
- Standard-ISO/ BS/DIN /AWWA/API
- Tests standard-BS EN 12266-1
- Body-Ductile Iron/Cast Iron/Stainless Steel/WCB
- Body Ring-SS420/SS304/SS316
- Disc Ring-EPDM
- Shaft-420/S5431/SS316
- Fusion bonded epoxy coating- Min 300 Microns

This series tilting check valves are suitable to be used at the exit of the pump whose medium is water. It is used to prevent or reduce medium back from water hammer. So it can protect the pipeline system. Suitable temperature $\leq 80^{\circ}\text{C}$



APPLICATION SCENARIO



Industrial water application



Power plant



Sea water desalination



Water treatment



Water supply and drainage



HAVC



Food and drug



Water transport



COMPANY FACTORY



COMPANY INFORMATION



i 0000 00 : 00 00 00, 00 0 00 00 00.

CNC 00 00, 00 00 0, 0000 00 00, 00 00 00 0 00.

■ 00 00 00 000 000 0000000 000 00 00 00.

000 0000 000 0000 00 00 000 0000000.

v 00 00 : GB, 00 00, 00 00, TUV CE, ISO 9001, ADWO-2000, TS, PED, WRC WRA, KTW, API 6D, API609.

VI 00 0000 : 00 00, 0 00, 000 00, 00 00, 000 00, 000 00, 00 / 00 / 00 00000, 00 00.

01

21 years of professional experience

03

Independent research and development team
28 top senior professional researchers

05

100% high level ex-factory inspection

07

2 years quality assurance, repair and replacement

4 factories

02

2 professional testing centers

04

High quality imported materials

06

COMPANY QUALIFICATION



COMPANY EXHIBITION



Q : 閘門 閘板 鋼 鋼 閘門 閘板嗎?

A : 閘門 閘板, 閘板, 閘板, 閘板, 閘板 閘板.

Q : 閘板閘板 閘板 閘板 閘板嗎?

A : 閘板, 閘板, hydraulic, 閘板閘板 閘板. RKSfluid 閘板閘板 閘板 閘板 閘板閘板. 閘板 閘板 閘板 閘板 閘板閘板 閘板 閘板.

Q : 閘板 閘板 閘板嗎?

A : RKSfluid閘板 閘板 閘板 閘板 閘板 4 閘板 閘板 閘板.

Q : 閘板 閘板 閘板

A : 閘板 閘板 2 ~ 5 閘板閘板 閘板 閘板. 閘板 閘板 閘板 閘板 閘板.

Q : MOQ

A : 閘板 閘板 閘板 1pc.

Q : 閘板 閘板 閘板嗎?

A : 閘板 閘板 100% 閘板 閘板, 2 閘板 閘板. 閘板閘板 閘板閘板 閘板閘板.

TUV, API, WRA, CE, ISO 閘板 閘板閘板.

閘板 DIN, ASME, BS EN, JIS, API, AWWA 閘板閘板.

Q : 閘板閘板 閘板閘板 閘板 閘板 閘板 閘板嗎?

A : RKSfluid 閘板 20 閘板 閘板 70 閘板 閘板 R & D 閘板閘板 閘板 閘板, 閘板 閘板 閘板 閘板 閘板閘板.