

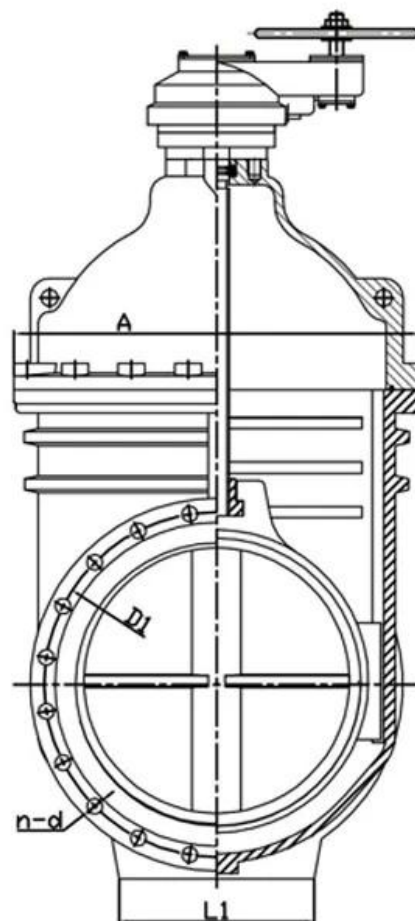
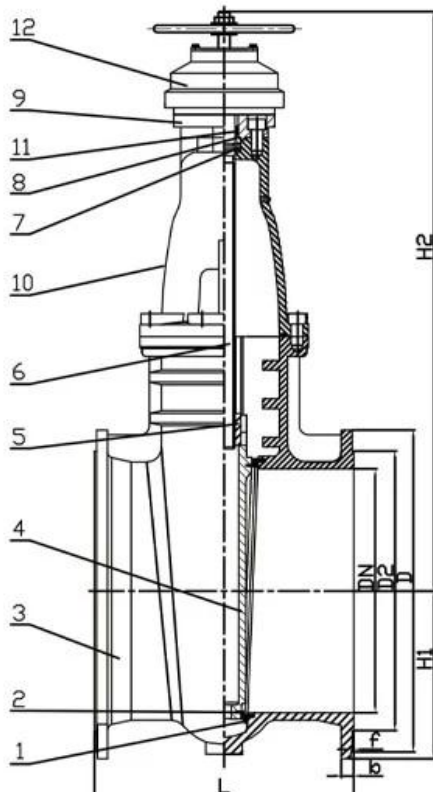
DESIGN FEATURES

TECHNICAL REQUIREMENT

- 1.Design standard:BS 5163.
- 2.Face to face:BS 5163.
- 3.Flanges standard:BS EN1092-2:1997 PN16.
- 4.Test standard:BS EN12266-1 Rate B.

FEATURES

- Double flange metal seated gate valve
- Size Range:DN50-DN2000
- Standard-ISO/BS/DIN/AWWA/API
- Tests Standard-BS EN 12266-1
- Body Ring-Bronze/SS420/SS304/SS316
- Body-Ductile Iron /Cast Iron/Stainless Steel /WCB
- Fusion bonded epoxy coating-min 300 microns



RELATED PRODUCTS



SMALL DIAMETER GATE VALVE
DN50-DN300,PN10/16/25



METAL SEATED GATE VALVE
DN350-DN600,PN10/16/25



**LARGE DIAMETER
METAL SEATED GATE VALVE**
DN700-DN2000,PN10/16/25

APPLICATION SCENARIO



Industrial water application



Power plant



Sea water desalination



Water treatment



Water supply and drainage



HAVC



Food and drug



Water transport



COMPANY FACTORY



COMPANY INFORMATION



i 0000 00 : 00 00 00, 00 0 00 00 00.

CNC 00 00, 00 00 0, 0000 00 00, 00 00 00 0 00.

■ 00 00 00 000 000 0000000 000 00 00 00.

000 0000 000 00000 00 00 000 0000000.

v 00 00 : GB, 00 00, 00 00, TUV CE, ISO 9001, ADWO-2000, TS, PED, WRC WRA, KTW, API 6D, API609.

VI 00 0000 : 00 00, 0 00, 000 00, 00 00, 000 00, 000 00, 00 / 00 / 00 00000, 00 00.

01

21 years of professional experience

03

Independent research and development team
28 top senior professional researchers

05

100% high level ex-factory inspection

07

2 years quality assurance, repair and replacement

4 factories

02

2 professional testing centers

04

High quality imported materials

06

COMPANY QUALIFICATION



COMPANY EXHIBITION



□□□□ □□

Q : □□□ □□□ □□ □□ □□□□□□?

A : □□□ □□, □□, □□, □□, □□ □□□.

Q : □□□□□□ □□ □ □ □□□□?

A : □□, □□, hrdraulic, □□□□□ □□. RKSfluid □□□□□□ □□ □□□ □□□□□. □□□ □□□ □□ □□ □□□□ □ □□□□.

Q : □□ □□□ □□□□□?

A : RKSfluid□□ □□□ □□□ □□ □ □□□ 4 □□ □□□ □□□□.

Q : □□ □□ □□

A : □□ □□□ 2 ~ 5 □□□□ □□□ □□□□. □□□ □□□ □□ □□□ □□.

Q : **MOQ**

A : □□ □□□ □□ 1pc.

Q : □□ □□□ □□□□□?

A : □□ □ 100% □□ □□□, 2 □ □□. □□□□ □□□□ □□□□□□.

TUV, API, WRA, CE, ISO □□□ □□□□□.

□□□ DIN, ASME, BS EN, JIS, API, AWWA □ □□□□□.

Q : □□□□ □□□ □□□□ □□□ □□ □ □ □□□□?

A : RKSfluid □□□ 20 □ □□□ 70 □ □□□ R & D □□□□□ □□ □□, □□ □□ □ □□ □□□□ □□□□□.